

TM-ZR500 31094020030 BOOM/4 SECT.

PB0000053-01 SYSTEM (ZR500,DOMESTIC)
PB0000054-01 SYSTEM (ZR500,EXPORT)
PB0000056-02 SYSTEM (ZR560,EXPORT)
PB0000102-01 SYSTEM (ZR560,AUSTRALIA)
PB0000103-01 SYSTEM (ZR560,TAIWAN)
PB0000106-01 SYSTEM (ZR500,AUSTRALIA)
PB0000107-01 SYSTEM (ZR500,TAIWAN)
ASSEMBLY

www.AutoEPC.com

TM-ZR500 31094020030 BOOM/4 SECT.
PB0000053-01 SYSTEM (ZR500,DOMESTIC)

1 ブーム システム
BOOM SYSTEM

注意：①適用製造番号によっては取り付けがないものもあります。

NOTE:①MACHINES OF SOME SERIAL NO.ARE NOT EQUIPPED WITH
THESE PARTS.

TM-ZR500 31094020030 BOOM/4 SECT.

| Pos No. | Parts No | Parts Name | Qty | Unit | Technical Data | Serial No (Start) | Serial |
|---------|----------|-------------|-----|------|----------------|-------------------|--------|
| 1 | (*****) | BOOM SYSTEM | 1 | | | | |

www.AutoEPC.com

TM-ZR500 31094020030 BOOM/4 SECT.
PB0000054-01 SYSTEM (ZR500,EXPORT)

1 ブームシステム
BOOM SYSTEM

注意：①適用製造番号によっては取り付けがないものもあります。

NOTE:①MACHINES OF SOME SERIAL NO.ARE NOT EQUIPPED WITH
THESE PARTS.

TM-ZR500 31094020030 BOOM/4 SECT.

| Pos No. | Parts No | Parts Name | Qty | Unit | Technical Data | Serial No (Start) | Serial |
|---------|----------|-------------|-----|------|----------------|-------------------|--------|
| 1 | (*****) | BOOM SYSTEM | 1 | | | | |

www.AutoEPC.com

TM-ZR500 31094020030 BOOM/4 SECT.
PB0000056-02 SYSTEM (ZR560,EXPORT)

ZR560,カイガイ
ZR560,EXPORT

1 フーム システム
BOOM SYSTEM

注意：①適用製造番号によっては取り付けがないものもあります。

NOTE:①MACHINES OF SOME SERIAL NO.ARE NOT EQUIPPED WITH
THESE PARTS.

TM-ZR500 31094020030 BOOM/4 SECT.

| Pos No. | Parts No | Parts Name | Qty | Unit | Technical Data | Serial No (Start) | Serial |
|---------|----------|-------------|-----|------|----------------|-------------------|--------|
| 1 | (*****) | BOOM SYSTEM | 1 | | | | |

www.AutoEPC.com

TM-ZR500 31094020030 BOOM/4 SECT.
PB0000102-01 SYSTEM (ZR560,AUSTRALIA)

ZR560,オーストラリア
ZR560,AUSTRALIA

i フーム システム
BOOM SYSTEM

注意：①適用製造番号によっては取り付けがないものもあります。

NOTE:①MACHINES OF SOME SERIAL NO.ARE NOT EQUIPPED WITH
THESE PARTS.

TM-ZR500 31094020030 BOOM/4 SECT.

| Pos No. | Parts No | Parts Name | Qty | Unit | Technical Data | Serial No (Start) | Serial |
|---------|----------|-------------|-----|------|----------------|-------------------|--------|
| 1 | (*****) | BOOM SYSTEM | 1 | | | | |

www.AutoEPC.com

TM-ZR500 31094020030 BOOM/4 SECT.
PB0000103-01 SYSTEM (ZR560,TAIWAN)

ZR560,タイワン
ZR560,TAIWAN

i フーム システム
BOOM SYSTEM

注意：①適用製造番号によっては取り付けがないものもあります。

NOTE:①MACHINES OF SOME SERIAL NO.ARE NOT EQUIPPED WITH
THESE PARTS.

TM-ZR500 31094020030 BOOM/4 SECT.

| Pos No. | Parts No | Parts Name | Qty | Unit | Technical Data | Serial No (Start) | Serial |
|---------|----------|-------------|-----|------|----------------|-------------------|--------|
| 1 | (*****) | BOOM SYSTEM | 1 | | | | |

www.AutoEPC.com

TM-ZR500 31094020030 BOOM/4 SECT.
PB0000106-01 SYSTEM (ZR500,AUSTRALIA)

ZR500,オーストラリア
ZR500,AUSTRALIA

i フーム システム
BOOM SYSTEM

注意：①適用製造番号によっては取り付けがないものもあります。

NOTE:①MACHINES OF SOME SERIAL NO.ARE NOT EQUIPPED WITH
THESE PARTS.

TM-ZR500 31094020030 BOOM/4 SECT.

| Pos No. | Parts No | Parts Name | Qty | Unit | Technical Data | Serial No (Start) | Serial |
|---------|----------|-------------|-----|------|----------------|-------------------|--------|
| 1 | (*****) | BOOM SYSTEM | 1 | | | | |

www.AutoEPC.com

TM-ZR500 31094020030 BOOM/4 SECT.
PB0000107-01 SYSTEM (ZR500,TAIWAN)

ZR500,タイワン
ZR500,TAIWAN

i フーム システム
BOOM SYSTEM

注意：①適用製造番号によっては取り付けがないものもあります。

NOTE:①MACHINES OF SOME SERIAL NO.ARE NOT EQUIPPED WITH
THESE PARTS.

TM-ZR500 31094020030 BOOM/4 SECT.

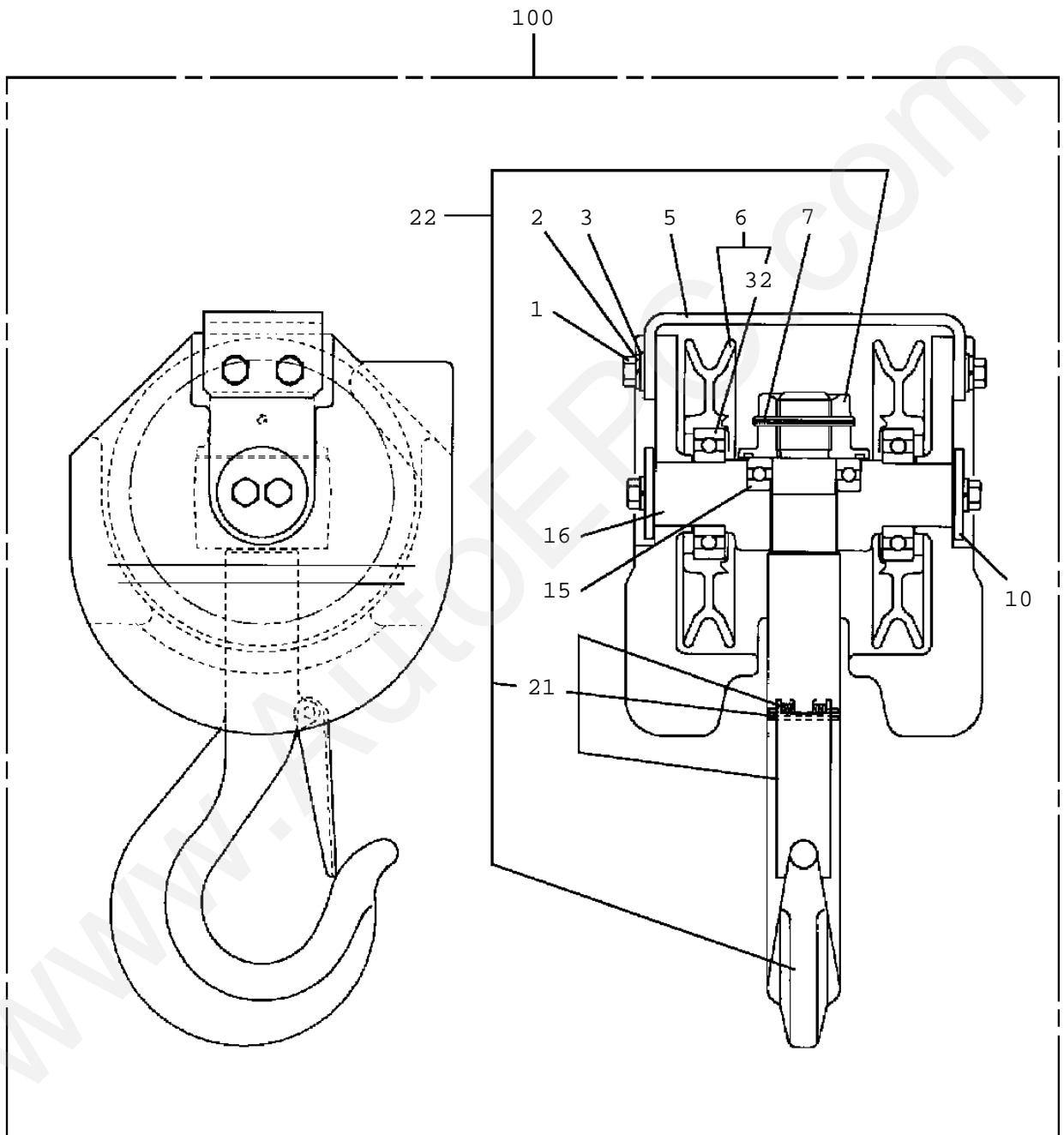
| Pos No. | Parts No | Parts Name | Qty | Unit | Technical Data | Serial No (Start) | Serial |
|---------|----------|-------------|-----|------|----------------|-------------------|--------|
| 1 | (*****) | BOOM SYSTEM | 1 | | | | |

www.AutoEPC.com

TM-ZR500 31094020030 BOOM/4 SECT.

PF1050316-03 HOOK (SHEAVE 2 PC'S)
PF1070033-00 ROPE,WIRE (KISWIRE)
PF1090022-01 SOCKET,ROPE
PG1010670-03 BOOM (4 SECT.)
PG1050383-15 CYLINDER,TELESCOPING (4 SECT.BOOM)
PG1200156-02 PIPING,TELESCOPING (JOINT)
PH1060326-00 DETECTOR,OVER WIND (CHAIN,FOR WEIGHT)
PH1060351-02 DETECTOR,OVER WINDING (4 SECT.)
PI1250134-01 VALVE,COUNTERBALANCE
PN1350067-02 REEL,CORD
PN5010045-01 NAME PLATE ASSY (3.13T/ENGLISH)
PN5010051-01 NAME PLATE ASSY (2.93T/ENGLISH)
PO1013190-00 PLATE ASSY,NAME (BOOM/JAPANESE)
PO1013192-00 PLATE ASSY,NAME (BOOM/ENGLISH)
PO1014007-01 PLATE ASSY,NAME (BOOM/ENGLISH)
PO1014298-00 PLATE ASSY,NAME (RAC)
PO1015129-01 PLATE ASSY,NAME (2.93T/ENGLISH)
PR5050009-00 REEL ASSY,CORD
PZ1000399-06 BOOM SYSTEM
PZ1000399-06 BOOM SYSTEM
PZ1000457-04 BOOM SYSTEM
PZ1000533-02 BOOM SYSTEM
PZ1000533-02 BOOM SYSTEM

TM-ZR500 31094020030 BOOM/4 SECT.
PF1050316-03 HOOK (SHEAVE 2 PC'S)



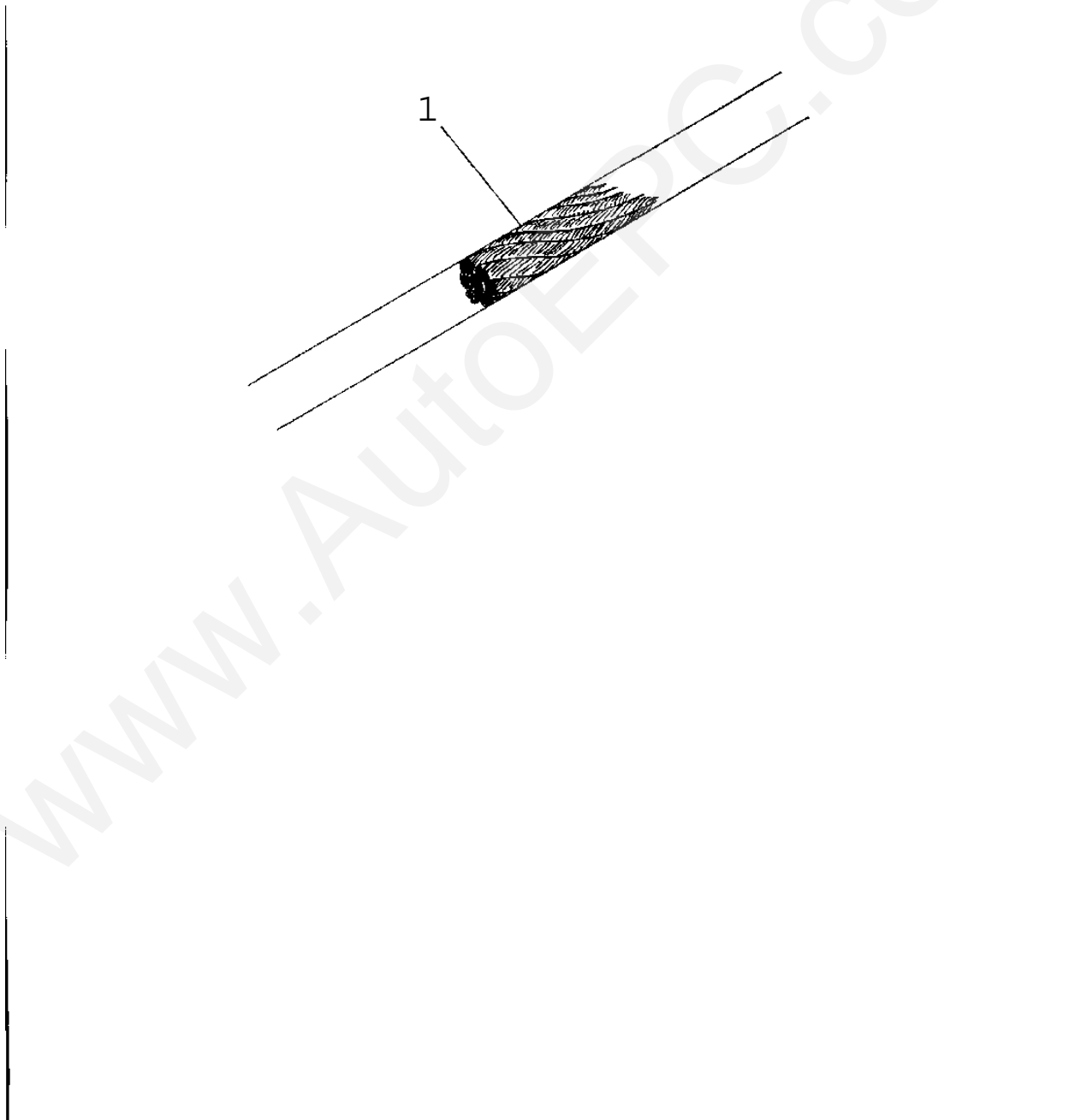
TM-ZR500 31094020030 BOOM/4 SECT.

| Pos No. | Parts No | Parts Name | Qty | Unit | Technical Data | Serial No (Start) |
|---------|-------------|----------------------|-----|------|----------------|-------------------|
| 1 | 90191510020 | BOLT,HEXAGON SOCKET | 8 | | M10X20 | |
| 2 | 90302041001 | WASHER,SPRING | 8 | | 10 | |
| 3 | 90303071001 | WASHER,PLAIN | 4 | | 10 | |
| 5 | 36094495100 | SUPPORT | 1 | | | |
| 6 | 37001007050 | SHEAVE | 2 | | | |
| 7 | 80720105056 | PIN,SPRING | 1 | | 5X56 | |
| 10 | 36093865700 | COVER | 2 | | | |
| 15 | 80500051207 | BEARING,BALL | 1 | | | |
| 16 | 36093865600 | TRUNNION | 1 | | | |
| 21 | 36090299510 | STOPPER ASSY | 1 | | | |
| 22 | 36093865010 | HOOK ASSY | 1 | | | |
| 100 | 36094490000 | HOOK (SHEAVE 2 PC'S) | 1 | | | |

www.AutoEPC.com

TM-ZR500 31094020030 BOOM/4 SECT.
PF1070033-00 ROPE,WIRE (KISWIRE)

REF ID: A11111

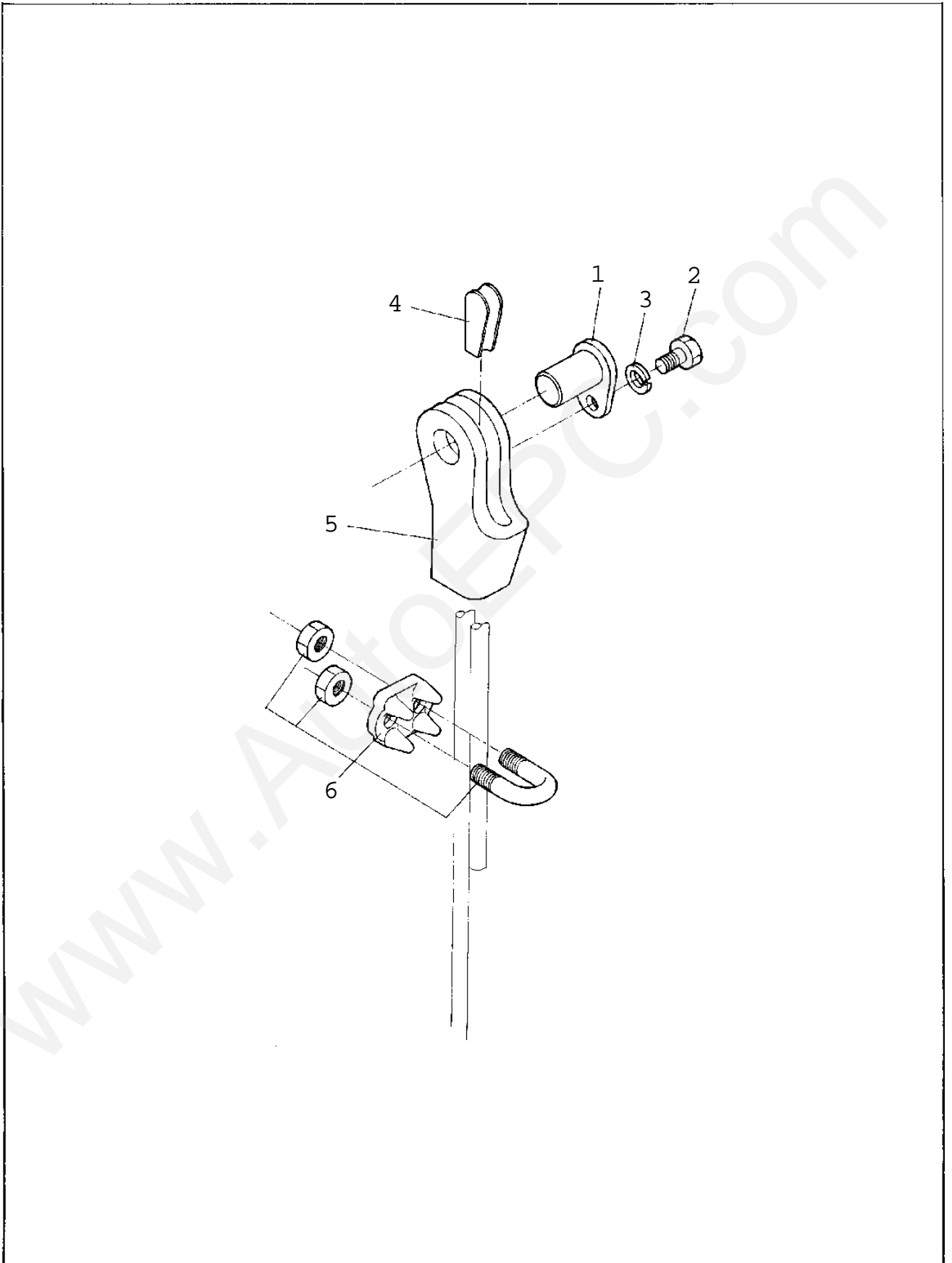


TM-ZR500 31094020030 BOOM/4 SECT.

| Pos No. | Parts No | Parts Name | Qty | Unit | Technical Data | Serial No (Start) |
|---------|-------------|---------------------|-----|------|----------------|-------------------|
| 1 | 37001806420 | ROPE,WIRE (KISWIRE) | 1 | | | |

www.AutoEPC.com

TM-ZR500 31094020030 BOOM/4 SECT.
PF1090022-01 SOCKET,ROPE

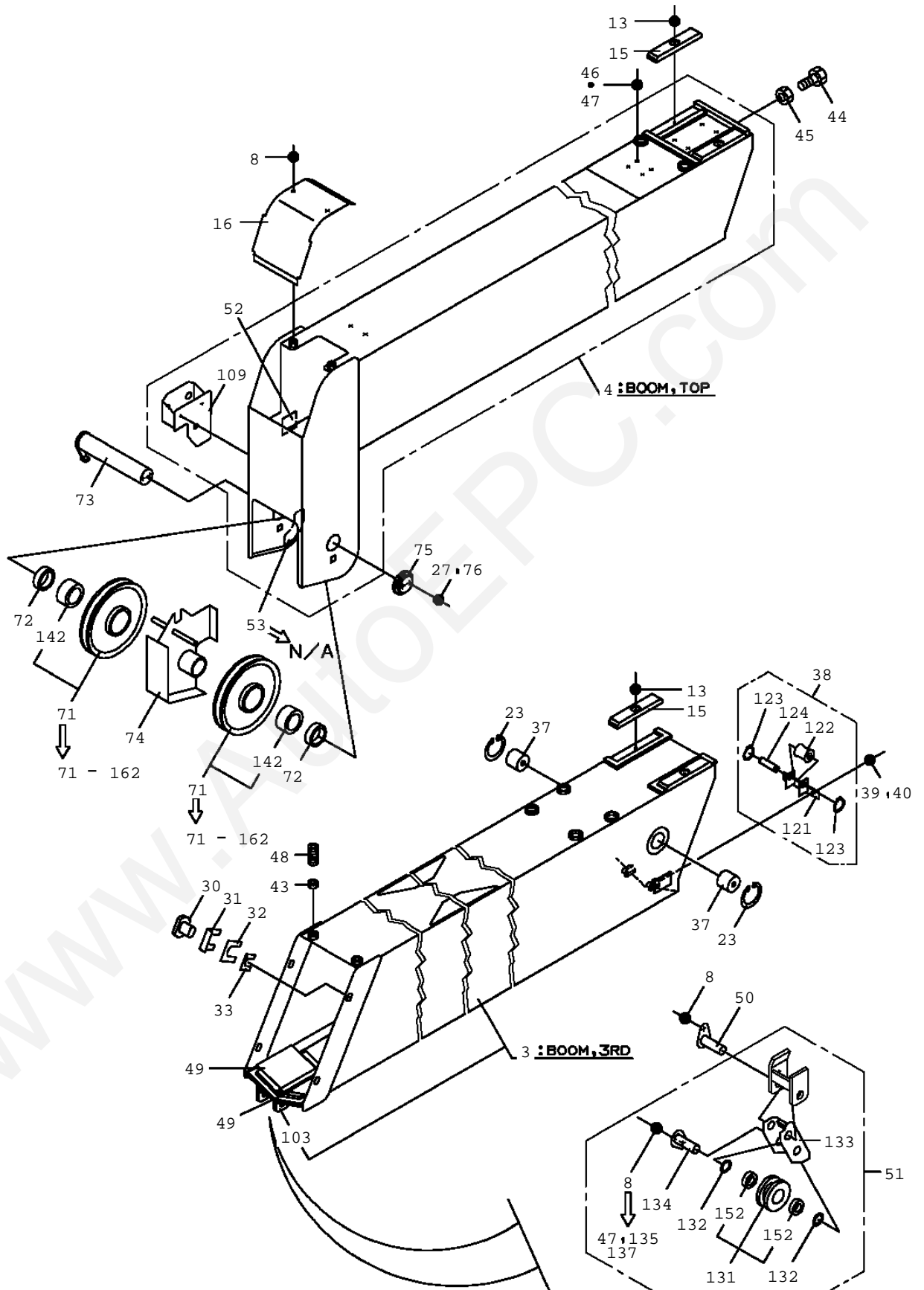


TM-ZR500 31094020030 BOOM/4 SECT.

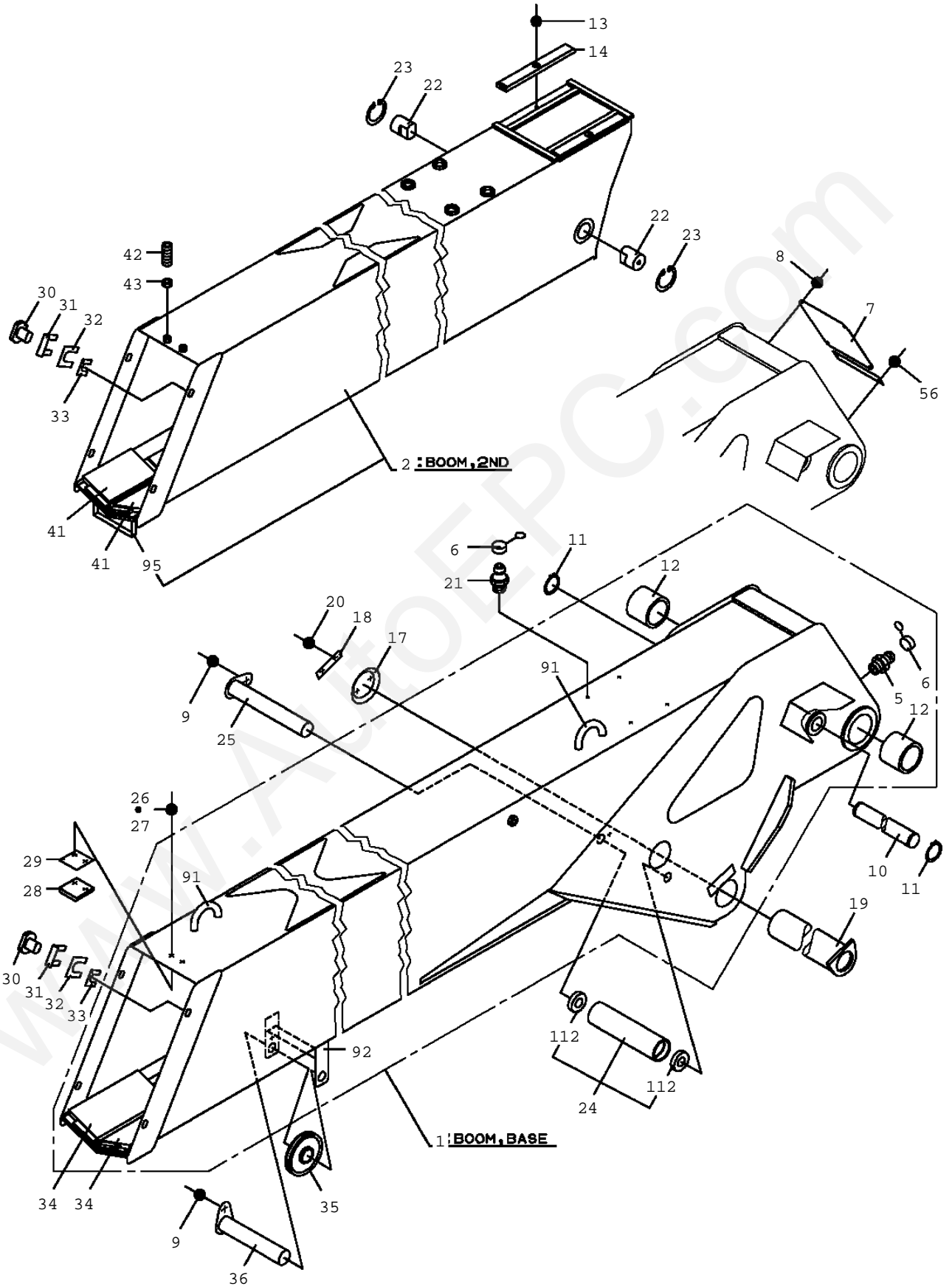
| Pos No. | Parts No | Parts Name | Qty | Unit | Technical Data | Serial No (Start) | Serial |
|---------|-------------|----------------|-----|------|----------------|-------------------|--------|
| 1 | 37000105061 | PIN | 1 | | | | |
| 2 | 90101208014 | BOLT | 1 | | M8X14 | | |
| 3 | 90302040801 | WASHER, SPRING | 1 | | 8 | | |
| 4 | 37002600190 | WEDGE | 1 | | 8 | | |
| 5 | 37002600100 | SOCKET, ROPE | 1 | | 8&9 | | |
| 6 | 83151410802 | CLIP | 1 | | | | |

www.AutoEPC.com

TM-ZR500 31094020030 BOOM/4 SECT.
PG1010670-03 BOOM (4 SECT.)



TM-ZR500 31094020030 BOOM/4 SECT.
PG1010670-03 BOOM (4 SECT.)



TM-ZR500 31094020030 BOOM/4 SECT.

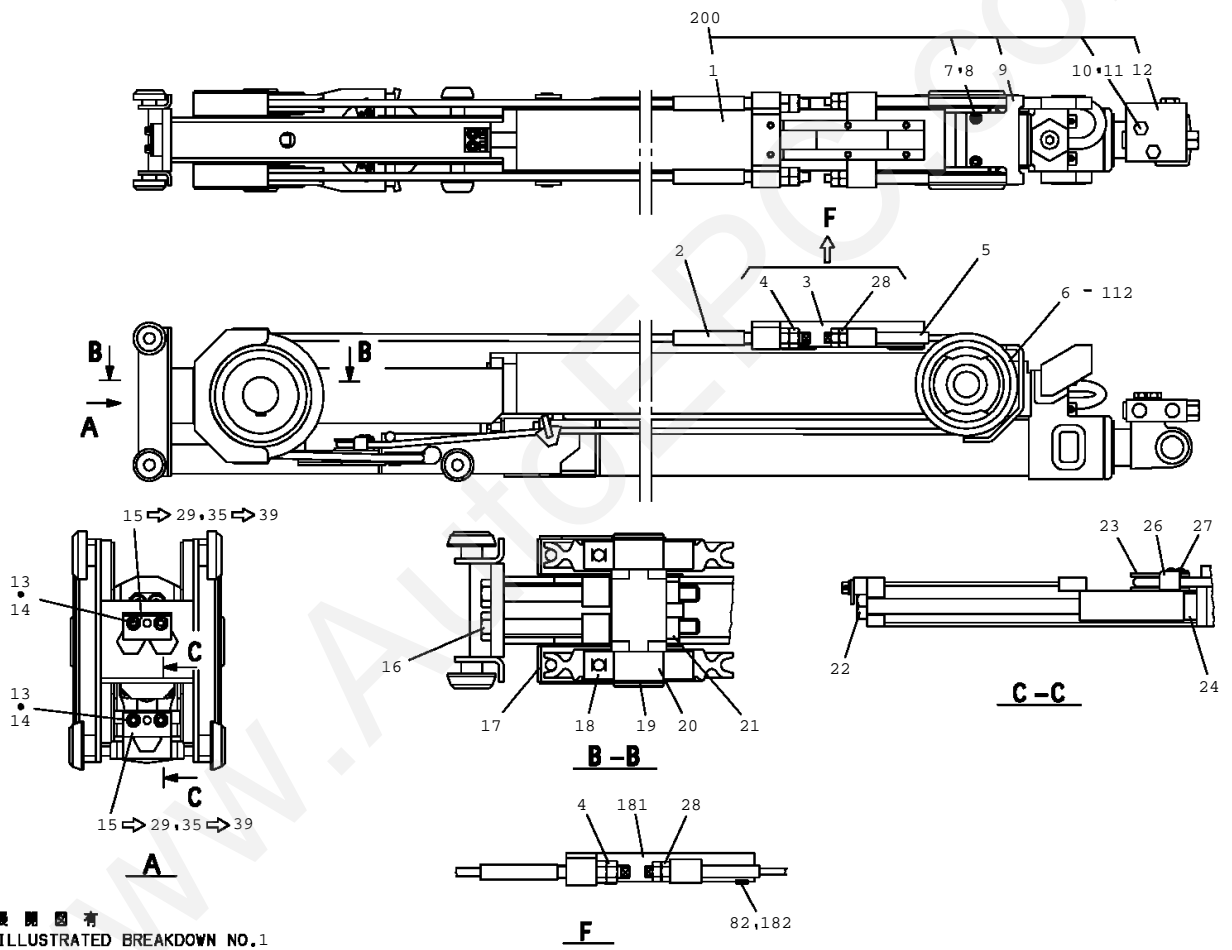
| Pos No. | Parts No | Parts Name | Qty | Unit | Technical Data | Serial No (St |
|---------|-------------|---------------------------|-----|------|----------------|---------------|
| 1 | 31202929510 | BOOM,BASE | 1 | | | |
| 2 | 31202922000 | BOOM,2ND | 1 | | | |
| 3 | 31202923000 | BOOM,3RD | 1 | | | |
| 4 | 31202924000 | BOOM,TOP | 1 | | | |
| | 31202924001 | BOOM,TOP | 1 | | | DA5035 |
| 5 | 82456101000 | NIPPLE,GREASE | 1 | | A-PT1/8 | |
| 6 | 82400000459 | CAP | 5 | | | |
| 7 | 31202510110 | COVER | 1 | | | |
| 8 | 90186208010 | BOLT,FLANGE | 7 | | M8X10 | |
| | 90186208010 | BOLT,FLANGE | 1 | | M8X10 | |
| 9 | 90186210010 | BOLT,FLANGE | 2 | | M10X10 | |
| 10 | 37000176960 | PIN | 1 | | | |
| 11 | 80601110300 | RING,RITAINING | 2 | | S30 | |
| 12 | 37000403680 | BEARING,PLAIN | 2 | | | |
| 13 | 90180206010 | BOLT,BUTTON | 6 | | M6X10 | |
| 14 | 37002008820 | PLATE,SLIDE | 2 | | | |
| 15 | 37002007410 | PLATE,SLIDE | 4 | | | |
| 16 | 31202510200 | COVER | 1 | | | |
| 17 | 31230622500 | COVER | 1 | | | |
| 18 | 31630302000 | PLATE | 1 | | T=1.6 | |
| 19 | 37000204430 | PIN | 1 | | | |
| 20 | 90101210016 | BOLT | 2 | | M10X16 | |
| 21 | 82455106000 | NIPPLE,GREASE | 4 | | A-M6F FE | |
| 22 | 37000176980 | PIN | 2 | | | |
| 23 | 80602110350 | RING,RITAINING | 4 | | R35 | |
| 24 | 37001110070 | ROLLER ASSY | 1 | | | |
| | 37001112570 | ROLLER ASSY | 1 | | | DE3239 |
| 25 | 37000143390 | PIN | 1 | | | |
| 26 | 90101210014 | BOLT | 2 | | M10X14 | |
| 27 | 90302041001 | WASHER,SPRING | 4 | | 10 | |
| 28 | 31202200500 | PLATE | 1 | | | |
| 29 | 31202200600 | SHIM | 1 | | T=1.0 | |
| 30 | 31201770100 | PLATE,SLIDE | 12 | | T=3.0 | |
| 31 | 31201580100 | SHIM (FOR FIXED) | 12 | | | |
| 32 | 31200713400 | SHIM | N | | T=0.6 | |
| 33 | 32200353500 | SHIM | N | | T=1.2 | |
| 34 | 37002011020 | PLATE,SLIDE | 2 | | | |
| 35 | 37001007770 | SHEAVE | 1 | | | |
| 36 | 37000109780 | PIN | 1 | | | |
| 37 | 37000109640 | PIN | 2 | | | |
| 38 | 31202920300 | ROLLER ASSY | 1 | | | |
| 39 | 90131910020 | BOLT,HEXAGON SOCKET | 2 | | M10X20 | |
| 40 | 90302401001 | WASHER,SPRING | 2 | | 10 | |
| 41 | 37002004670 | PLATE,SLIDE | 2 | | | |
| 42 | 90710710350 | SCREW,SET | 2 | | M10X35 | |
| 43 | 90201201000 | NUT | 4 | | M10 | |
| 44 | 90101512035 | BOLT | 2 | | M12X35 | |
| 45 | 90203201200 | NUT | 2 | | M12 | |
| 46 | 90180208016 | BOLT,BUTTON | 6 | | M8X16 | |
| 47 | 90302040801 | WASHER,SPRING | 6 | | 8 | |
| | 90302040801 | WASHER,SPRING | 1 | | 8 | DA3731 |
| 48 | 90710710400 | SCREW,SET | 2 | | M10X40 | |
| 49 | 37002017150 | PLATE,SLIDE | 2 | | | |
| 50 | 37000173830 | PIN | 1 | | | |
| 51 | 31202510550 | ROLLER ASSY | 1 | | | |
| 52 | 37002213970 | PLATE,NAME (MARKING) | 1 | | | |
| 53 | 37002213980 | PLATE,NAME | 1 | | | |
| 56 | 90451700100 | SCREW,TAPPING | 2 | | M4X6.4 | |
| 71 | 37001008230 | SHEAVE | 2 | | | |
| | 37001008670 | SHEAVE ASSY | 2 | | | DA8577 |
| 72 | 37000303960 | SPACER | 2 | | L=13.5 | |
| 73 | 31202515100 | PIN | 1 | | | |
| 74 | 31202585200 | SPACER | 1 | | | |
| | 31202585201 | SPACER | 1 | | | DA4858 |
| 75 | 31200584000 | COVER | 1 | | | |
| 76 | 90191210020 | BOLT | 2 | | M10X20 | |
| 91 | 31201571100 | SUPPORT | 2 | | | |
| 92 | 31202928020 | SUPPORT ASSY | 1 | | | |
| 95 | 31202922150 | SUPPORT | 1 | | | |
| 103 | 31202928050 | SUPPORT ASSY | 1 | | | |
| 109 | 31202514191 | SUPPORT | 1 | | | |
| 112 | 80530000224 | BEARING,BALL (KOYO SEIKO) | 2 | | | |
| | 80530000222 | BEARING,BALL (NACHI) | 2 | | | |
| | 31205310110 | BEARING,BALL (IP) | 2 | | | DE3239 |

TM-ZR500 31094020030 BOOM/4 SECT.

| Pos No. | Parts No | Parts Name | Qty | Unit | Technical Data | Serial No (St |
|---------|-------------|-------------------|-----|------|----------------|---------------|
| 121 | 31202920400 | SUPPORT | 1 | | | |
| 122 | 37001101900 | ROLLER | 1 | | | |
| 123 | 80601110120 | RING,RITAINING | 2 | | S12 | |
| 124 | 37000173800 | PIN | 1 | | | |
| 131 | 37001107720 | ROLLER ASSY | 1 | | | |
| 132 | 37000538730 | PLATE | 2 | | | |
| 133 | 31202510560 | SUPPORT | 1 | | | |
| 134 | 37000160580 | PIN | 1 | | | |
| 135 | 90101208012 | BOLT | 1 | | M8X12 | DA3731 |
| 137 | 90303070801 | WASHER,PLAIN | 1 | | 8 | DA3731 |
| 142 | 80516006207 | BEARING,BALL | 2 | | | |
| 152 | 80516006902 | BEARING,BALL | 2 | | | |
| | 31205310210 | BEARING,BALL (IP) | 2 | | | DE1549 |
| 162 | 36093861100 | BEARING,BALL | 2 | | | DA8577 |

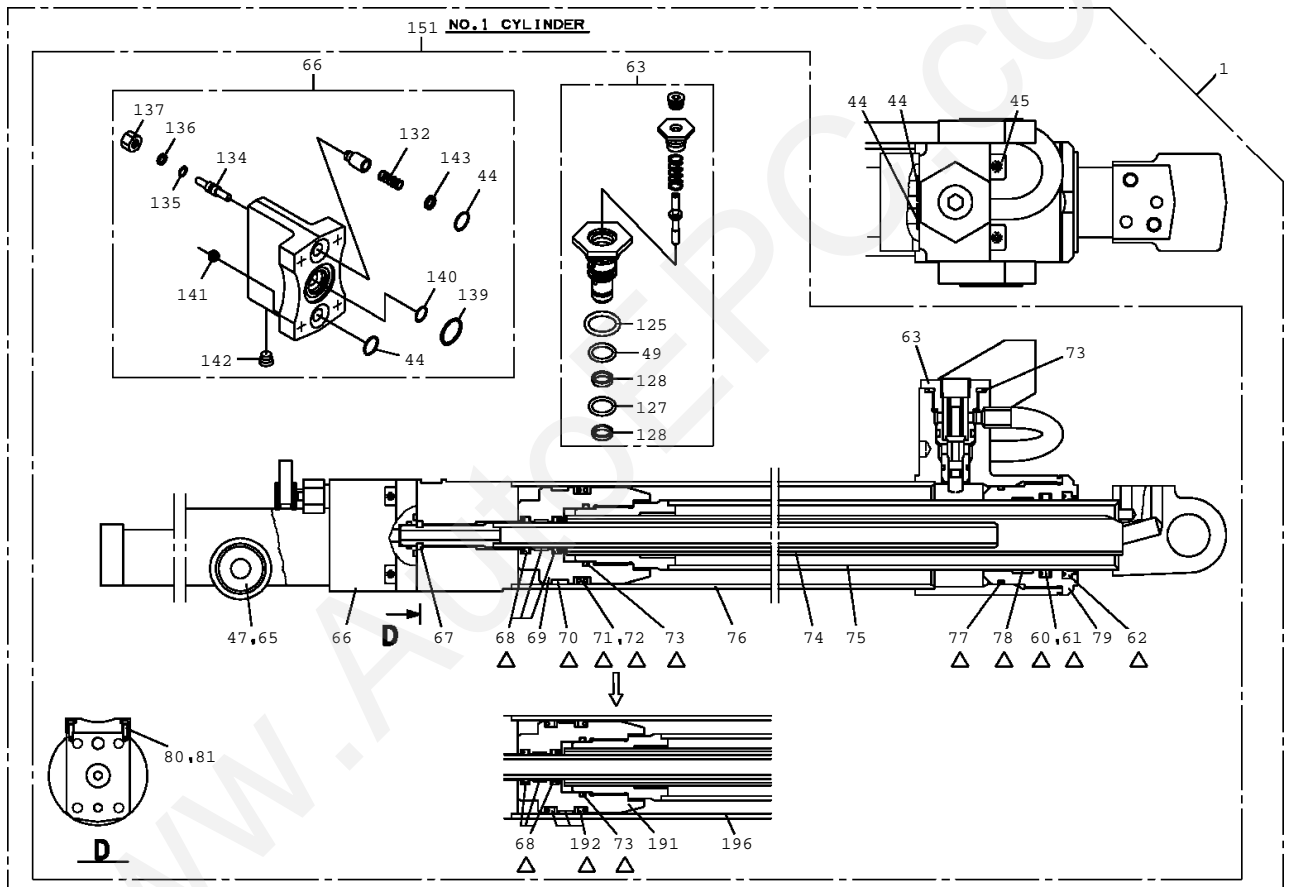
www.AutoEPC.com

TM-ZR500 31094020030 BOOM/4 SECT.
 PG1050383-15 CYLINDER, TELESCOPING (4 SECT. BOOM)



展開圖有
 ILLUSTRATED BREAKDOWN NO.1

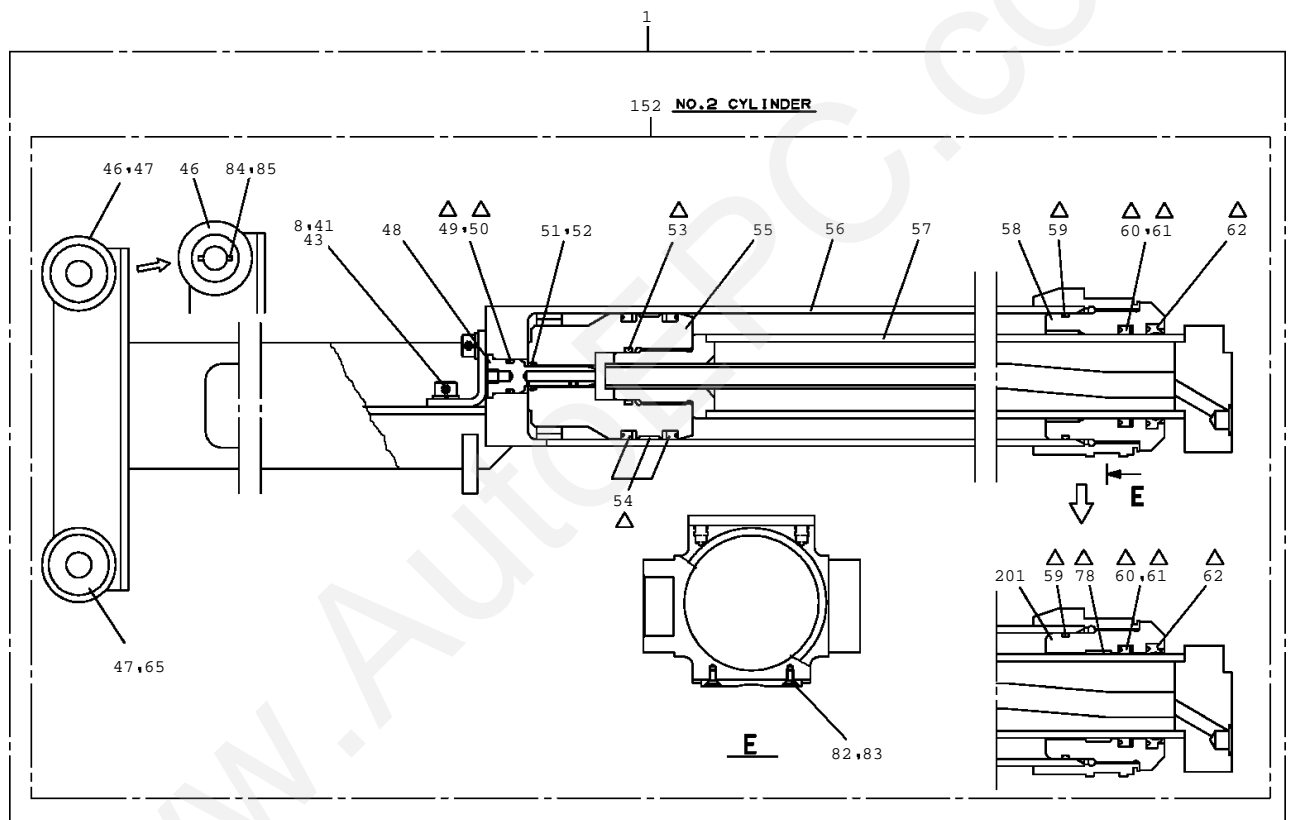
TM-ZR500 31094020030 BOOM/4 SECT.
 PG1050383-15 CYLINDER,TELESCOPING (4 SECT.BOOM)



Δ:PACKING SET KEY NO.160 (KEY NO.60,61,62,68,70,71,72,73,77,78)

↓
 Δ:PACKING SET KEY NO.161 (KEY NO.60,61,62,68,73,77,78,192)

TM-ZR500 31094020030 BOOM/4 SECT.
 PG1050383-15 CYLINDER,TELESCOPING (4 SECT.BOOM)



△:PACKING SET KEY NO.162: (KEY NO.49,50,53,54,59,60,61,62)



△:PACKING SET KEY NO.163: (KEY NO.49,50,53,54,59,60,61,62,78)

TM-ZR500 31094020030 BOOM/4 SECT.

| Pos No. | Parts No | Parts Name | Qty | Unit | Technical Data | Serial |
|---------|-------------|---------------------------|-----|------|----------------|--------|
| 1 | 36016360000 | CYLINDER,TELESCOPING | 1 | | | |
| | 36016360001 | CYLINDER ASSY,TELESCOPING | 1 | | | DE9281 |
| | 36016360002 | CYLINDER ASSY,TELESCOPING | 1 | | | DF3060 |
| 2 | 37001918510 | ROPE,WIRE (TESAC) | 1 | | | |
| | 37001918520 | ROPE,WIRE (KOKOKU) | 1 | | | |
| | 37001919350 | ROPE,WIRE (KOKOKU) | 1 | | 10X6.3M | DA4492 |
| | 37001919340 | ROPE,WIRE (TESAC) | 1 | | 10X6.3M | DA4492 |
| 3 | 31211570100 | SUPPORT | 1 | | | |
| 4 | 90201201600 | NUT | 4 | | M16 | |
| 5 | 37001918540 | ROPE,WIRE (KOKOKU) | 1 | | | |
| | 37001918530 | ROPE,WIRE (TESAC) | 1 | | | |
| 6 | 37001008350 | SHEAVE ASSY | 2 | | | |
| 7 | 90172108014 | BOLT,HEXAGON SOCKET | 2 | | M8X14 | |
| 8 | 90302040801 | WASHER,SPRING | 2 | | 8 | |
| | 90302040801 | WASHER,SPRING | 4 | | 8 | |
| | 90302040801 | WASHER,SPRING | 4 | | 8 | DB1341 |
| | 90302040801 | WASHER,SPRING | 2 | | 8 | DE9281 |
| | 90302040801 | WASHER,SPRING | 6 | | 8 | DF3060 |
| 9 | 31211570200 | SUPPORT | 1 | | | |
| 10 | 90302041001 | WASHER,SPRING | 2 | | 10 | |
| 11 | 90171110040 | BOLT | 2 | | M10X40 | |
| 12 | 36605520000 | VALVE,COUNTERBALANCE | 1 | | | |
| 13 | 90172106025 | BOLT,HEXAGON SOCKET | 4 | | M6X25 | |
| 14 | 90302040601 | WASHER,SPRING | 4 | | 6 | |
| 15 | 31211380300 | SUPPORT (WELDED) | 2 | | | |
| 16 | 37001508570 | BOLT | 2 | | | |
| 17 | 31211570300 | SUPPORT | 2 | | | |
| 18 | 37001005310 | SHEAVE ASSY | 2 | | | |
| 19 | 80601110450 | RING,RITAINING | 2 | | S45 | |
| 20 | 31211570400 | PIN | 1 | | | |
| 21 | 37000570940 | PLATE | 1 | | | |
| 22 | 37001508720 | BOLT | 1 | | | |
| 23 | 31211390700 | SUPPORT | 1 | | | |
| 24 | 31211390500 | PLATE | 1 | | | |
| 26 | 31211390800 | PLATE | 2 | | | |
| 27 | 80171304012 | SCREW,MACHINE | 4 | | M4X12 | |
| 28 | 90201201400 | NUT | 4 | | M14 | |
| 29 | 37000577520 | PLATE | 2 | | | DA4437 |
| 35 | 37000577510 | PLATE | 2 | | T=3 | DA4437 |
| 39 | 31211380300 | SUPPORT (WELDED) | 2 | | | DE1060 |
| | 31212170300 | SUPPORT (STEEL CAST) | 2 | | | DE1060 |
| 41 | 90172108016 | BOLT,HEXAGON SOCKET | 4 | | M8X16 | |
| 43 | 36016030200 | SUPPORT | 1 | | | |
| 44 | 91001101400 | O-RING | 2 | | 1A P14 | |
| | 91001101400 | O-RING | 2 | | 1A P14 | |
| | 91001101400 | O-RING | 2 | | 1A P14 | DA6965 |
| | 91001101400 | O-RING | 2 | | 1A P14 | DE8534 |
| | 91001101400 | O-RING | 2 | | 1A P14 | DE8534 |
| | 91001101400 | O-RING | 2 | | 1A P14 | DE9281 |
| | 91001101400 | O-RING | 2 | | 1A P14 | DF5931 |
| 45 | 90172112065 | BOLT,HEXAGON SOCKET | 4 | | M12X65 | |
| 46 | 37001100390 | ROLLER ASSY | 2 | | | |
| | 37001110540 | ROLLER | 2 | | | DA5546 |
| 47 | 80601110150 | RING,RITAINING | 2 | | 15 | |
| | 80601110150 | RING,RITAINING | 4 | | 15 | |
| | 80601110150 | RING,RITAINING | 2 | | 15 | DA5546 |
| | 80601110150 | RING,RITAINING | 2 | | 15 | DA6965 |
| | 80601110150 | RING,RITAINING | 2 | | 15 | DB1341 |
| | 80601110150 | RING,RITAINING | 2 | | 15 | DE9281 |
| | 80601110150 | RING,RITAINING | 2 | | 15 | DF3060 |
| 48 | 36016030300 | PLUNGER | 1 | | | |
| 49 | 91002801600 | O-RING | 1 | | 1B P16 | |
| | 91002801600 | O-RING | 1 | | 1B P16 | |
| | 91002801600 | O-RING | 1 | | 1B P16 | DA6965 |
| | 91002801600 | O-RING | 1 | | 1B P16 | DB1341 |
| | 91002801600 | O-RING | 2 | | 1B P16 | DE9281 |
| 50 | 91411001600 | RING,BACKUP | 1 | | P16 | |
| | 91411001600 | RING,BACKUP | 1 | | P16 | DB1341 |
| | 91411001600 | RING,BACKUP | 1 | | P16 | DE9281 |
| 51 | 80640100160 | RING,RITAINING | 1 | | IRTW-16 | |
| | 80602110200 | RING,RITAINING | 1 | | R20 | DE9281 |
| 52 | 91100401200 | SEAL | 1 | | IRTW-16 | |
| | 36016030350 | SEAL | 1 | | | |
| | 36016030350 | SEAL | 1 | | | DB1341 |

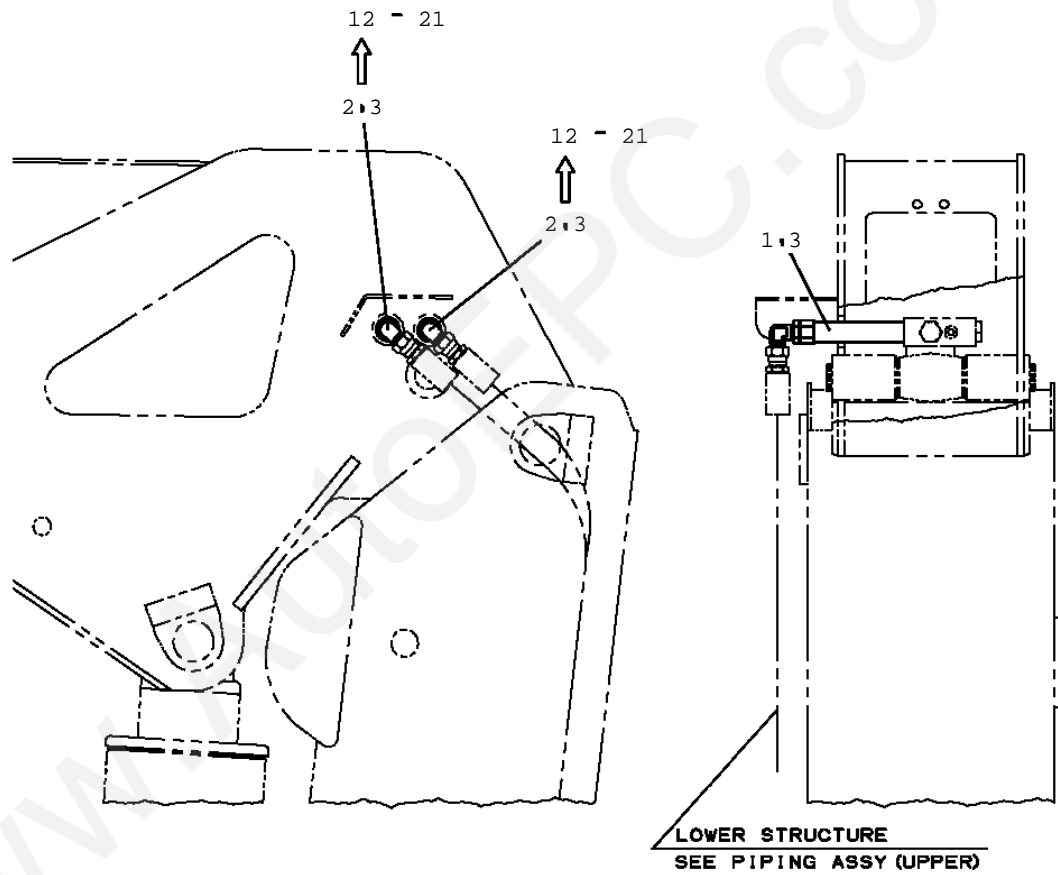
TM-ZR500 31094020030 BOOM/4 SECT.

| Pos No. | Parts No | Parts Name | Qty | Unit | Technical Data | Serial |
|---------|-------------|--------------------------------|-----|------|----------------|--------|
| 52 | 36016030351 | SEAL | 1 | | | DE9281 |
| 53 | 91002802800 | O-RING | 1 | | 1B P28 | |
| | 91002802800 | O-RING | 1 | | 1B P28 | DB1341 |
| | 91002802800 | O-RING | 1 | | 1B P28 | DE9281 |
| 54 | 91350207500 | BEARING,PLAIN (WITH PACKINGX2) | 1 | | | |
| | 91350207500 | BEARING,PLAIN (WITH PACKINGX2) | 1 | | | DB1341 |
| | 91350207500 | BEARING,PLAIN (WITH PACKINGX2) | 1 | | | DE9281 |
| 55 | 36016360200 | PISTON | 1 | | | |
| | 36016360600 | PISTON | 1 | | | DE9281 |
| 56 | 36016361000 | CYLINDER | 1 | | | |
| | 36016361001 | CYLINDER | 1 | | | DB1341 |
| 57 | 36016362000 | ROD | 1 | | | |
| 58 | 36016360100 | COVER,ROD | 1 | | | |
| 59 | 91002907000 | O-RING | 1 | | 1B G70 | |
| | 91002907000 | O-RING | 1 | | 1B G70 | DB1341 |
| | 91002907000 | O-RING | 1 | | 1B G70 | DE9281 |
| 60 | 91694005000 | PACKING | 1 | | | |
| | 91694005000 | PACKING | 1 | | | |
| | 91694005000 | PACKING | 1 | | | DA6965 |
| | 91694005000 | PACKING | 1 | | | DB1341 |
| | 91694005000 | PACKING | 2 | | | DE9281 |
| 61 | 91410205001 | RING,BACKUP | 1 | | | |
| | 91410205001 | RING,BACKUP | 1 | | | |
| | 91410205001 | RING,BACKUP | 1 | | | DA6965 |
| | 91410205001 | RING,BACKUP | 1 | | | DB1341 |
| | 91410205001 | RING,BACKUP | 2 | | | DE9281 |
| 62 | 91660005001 | SEAL,DUST | 1 | | | |
| | 91660005001 | SEAL,DUST | 1 | | | |
| | 91660005001 | SEAL,DUST | 1 | | | DA6965 |
| | 91660005001 | SEAL,DUST | 1 | | | DB1341 |
| | 91660005001 | SEAL,DUST | 2 | | | DE9281 |
| 63 | 36012150700 | VALVE,CHECK | 1 | | | |
| 65 | 37001103490 | ROLLER ASSY | 2 | | | |
| | 37001103490 | ROLLER ASSY | 2 | | | |
| | 37001103490 | ROLLER ASSY | 2 | | | DA6965 |
| | 37001103490 | ROLLER ASSY | 2 | | | DB1341 |
| | 37001103490 | ROLLER ASSY | 2 | | | DE9281 |
| | 37001103490 | ROLLER ASSY | 2 | | | DF3060 |
| 66 | 36624620000 | VALVE,CHECK | 1 | | | |
| | 36625270000 | VALVE,CHECK | 1 | | | DE8534 |
| | 36625270000 | VALVE,CHECK | 1 | | | DE8534 |
| | 36625270000 | VALVE,CHECK | 1 | | | DE8534 |
| | 36624620000 | VALVE,CHECK | 1 | | | DF5931 |
| 67 | 36010060340 | STOPPER | 2 | | | |
| 68 | 37000402120 | BEARING,PLAIN (WITH PACKINGX2) | 1 | | | |
| 69 | 36014664500 | PISTON | 1 | | | |
| 70 | 91302207000 | BEARING,PLAIN | 1 | | | |
| 71 | 91570207000 | PACKING | 1 | | | |
| 72 | 91461207000 | RING,BACKUP | 2 | | | |
| 73 | 91002803800 | O-RING | 1 | | 1B P38 | |
| | 91002803800 | O-RING | 1 | | 1B P38 | |
| | 91002803800 | O-RING | 1 | | 1B P38 | DA6965 |
| | 91002803800 | O-RING | 1 | | 1B P38 | DE9281 |
| | 91002803800 | O-RING | 1 | | 1B P38 | DF3060 |
| | 91002803800 | O-RING | 1 | | 1B P38 | DF5931 |
| 74 | 36016360300 | PIPE | 1 | | | |
| 75 | 36016364000 | ROD | 1 | | | |
| 76 | 36016363000 | CYLINDER | 1 | | | |
| 77 | 91002906500 | O-RING | 1 | | 1B G65 | |
| 78 | 91301105000 | BEARING,PLAIN | 1 | | | |
| | 91301105000 | BEARING,PLAIN | 1 | | | DF3060 |
| 79 | 36014663500 | COVER,ROD | 1 | | | |
| 80 | 80171304012 | SCREW,MACHINE | 2 | | M4X12 | |
| 81 | 37002008830 | PLATE,SLIDE | 1 | | | |
| 82 | 80175304008 | SCREW,MACHINE | 2 | | M4X8 | |
| | 80175304008 | SCREW,MACHINE | 4 | | M4X8 | DA5643 |
| | 80175304008 | SCREW,MACHINE | 2 | | M4X8 | DB1341 |
| 83 | 37002001810 | PLATE,SLIDE | 1 | | | |
| 84 | 80720102520 | PIN,SPRING | 2 | | | DA5546 |
| 85 | 90303071401 | WASHER,PLAIN | 4 | | 14 | DA5546 |
| 112 | 80516006011 | BEARING,BALL | 2 | | | |
| 125 | 91002802201 | O-RING | 1 | | 1B P22A | |
| 127 | 91001100700 | O-RING | 1 | | 1A P7 | |
| 128 | 91411000700 | RING,BACKUP | 2 | | P7 | |

TM-ZR500 31094020030 BOOM/4 SECT.

| Pos No. | Parts No | Parts Name | Qty | Unit | Technical Data | Serial |
|---------|-------------|-----------------------------------|-----|------|----------------|--------|
| 132 | 37001201560 | SPRING | 1 | | | |
| | 37001201560 | SPRING | 1 | | | DE8534 |
| | 37001201560 | SPRING | 1 | | | DE8534 |
| 134 | 37001201560 | SPRING | 1 | | | DF5931 |
| | 36622730200 | ROD | 1 | | | |
| | 36625270200 | ROD | 1 | | | DE8534 |
| | 36625270200 | ROD | 1 | | | DE8534 |
| | 36625270200 | ROD | 1 | | | DE8534 |
| 135 | 36622730200 | ROD | 1 | | | DF5931 |
| | 91001100600 | O-RING | 1 | | 1A P6 | |
| | 91001100600 | O-RING | 1 | | 1A P6 | DE8534 |
| | 91001100600 | O-RING | 1 | | 1A P6 | DE8534 |
| 136 | 91001100600 | O-RING | 1 | | 1A P6 | DF5931 |
| | 91411000600 | RING, BACKUP | 1 | | P6 | |
| | 91411000600 | RING, BACKUP | 1 | | P6 | DE8534 |
| | 91411000600 | RING, BACKUP | 1 | | P6 | DE8534 |
| 137 | 91411000600 | RING, BACKUP | 1 | | P6 | DF5931 |
| | 36622730400 | CAP | 1 | | | |
| | 36622730400 | CAP | 1 | | | DE8534 |
| | 36622730400 | CAP | 1 | | | DE8534 |
| 139 | 36622730400 | CAP | 1 | | | DF5931 |
| | 91001202500 | O-RING | 1 | | 1A G25 | |
| | 91001202500 | O-RING | 1 | | 1A G25 | DE8534 |
| | 91001202500 | O-RING | 1 | | 1A G25 | DE8534 |
| 140 | 91001202500 | O-RING | 1 | | 1A G25 | DF5931 |
| | 91002801500 | O-RING | 1 | | 1B P15 | |
| | 91002801500 | O-RING | 1 | | 1B P15 | DE8534 |
| | 91002801500 | O-RING | 1 | | 1B P15 | DE8534 |
| 141 | 91002801500 | O-RING | 1 | | 1B P15 | DF5931 |
| | 90131708025 | BOLT, HEXAGON SOCKET | 4 | | M8X25 | |
| | 90131708025 | BOLT, HEXAGON SOCKET | 4 | | M8X25 | DE8534 |
| | 90131708025 | BOLT, HEXAGON SOCKET | 4 | | M8X25 | DE8534 |
| 142 | 90131708025 | BOLT, HEXAGON SOCKET | 4 | | M8X25 | DF5931 |
| | 80316090020 | PLUG | 1 | | KKT PT1/8 | |
| | 80316090020 | PLUG | 1 | | KKT PT1/8 | DE8534 |
| | 80316090020 | PLUG | 1 | | KKT PT1/8 | DE8534 |
| 143 | 80316090020 | PLUG | 1 | | KKT PT1/8 | DF5931 |
| | 36622730500 | SPACER | 1 | | L=5 | |
| | 36622730500 | SPACER | 1 | | L=5 | DE8534 |
| | 36622730500 | SPACER | 1 | | L=5 | DE8534 |
| 151 | 36622730500 | SPACER | 1 | | L=5 | DF5931 |
| | 36016369510 | CYLINDER, TELESCOPING (NO.1) | 1 | | | |
| | 36016369511 | CYLINDER, TELESCOPING (NO.1) | 1 | | | DA6965 |
| | 36016369530 | CYLINDER ASSY, TELESCOPING (NO.1) | 1 | | | DF5931 |
| 152 | 36016369520 | CYLINDER, TELESCOPING (NO.2) | 1 | | | |
| | 36016369521 | CYLINDER, TELESCOPING (NO.2) | 1 | | | DB1341 |
| | 36016369522 | CYLINDER ASSY, TELESCOPING (NO.2) | 1 | | | DE9281 |
| | 36016369523 | CYLINDER ASSY, TELESCOPING (NO.2) | 1 | | | DF3060 |
| 160 | 36014659901 | PACKING SET | 1 | | 50X70 | |
| 161 | 36015369900 | PACKING SET | 1 | | 50X70 | DA6965 |
| 162 | 36016369910 | PACKING SET | 1 | | 50X75 | |
| 163 | 36018549900 | PACKING SET | 1 | | 50X75 | DF3060 |
| 181 | 31211572100 | SUPPORT | 1 | | | DA5643 |
| 182 | 37002006310 | PLATE, SLIDE | 2 | | | DA5643 |
| 191 | 36014664000 | PISTON | 1 | | | DA6965 |
| 192 | 91350207000 | BEARING, PLAIN (WITH PACKINGX2) | 1 | | | DA6965 |
| 196 | 36016363001 | CYLINDER | 1 | | | DA6965 |
| 200 | 31211578010 | CYLINDER, TELESCOPING (WITH CV) | 1 | | | |
| | 31211578011 | TELESCOPE ASSY | 1 | | | DE9281 |
| | 31211578012 | TELESCOPE ASSY | 1 | | | DF3060 |
| 201 | 36018540300 | COVER, ROD | 1 | | | DF3060 |

TM-ZR500 31094020030 BOOM/4 SECT.
PG1200156-02 PIPING,TELESCOPING (JOINT)

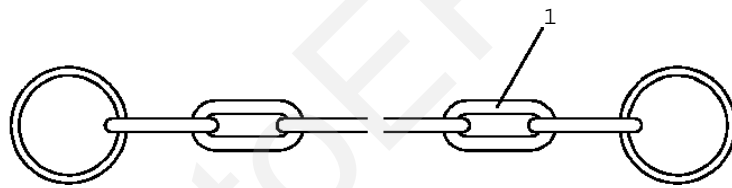


TM-ZR500 31094020030 BOOM/4 SECT.

| Pos No. | Parts No | Parts Name | Qty | Unit | Technical Data | Serial No (Start) | Serial No |
|---------|-------------|------------|-----|------|----------------|-------------------|-----------|
| 1 | 37000926410 | JOINT | 2 | | | | |
| 2 | 80481103030 | JOINT | 2 | | L,G3/8-G3/8 | | |
| 3 | 91002801400 | O-RING | 4 | | 1B P14 | | |

www.AutoEPC.com

TM-ZR500 31094020030 BOOM/4 SECT.
PH1060326-00 DETECTOR,OVER WIND (CHAIN,FOR WEIGHT)



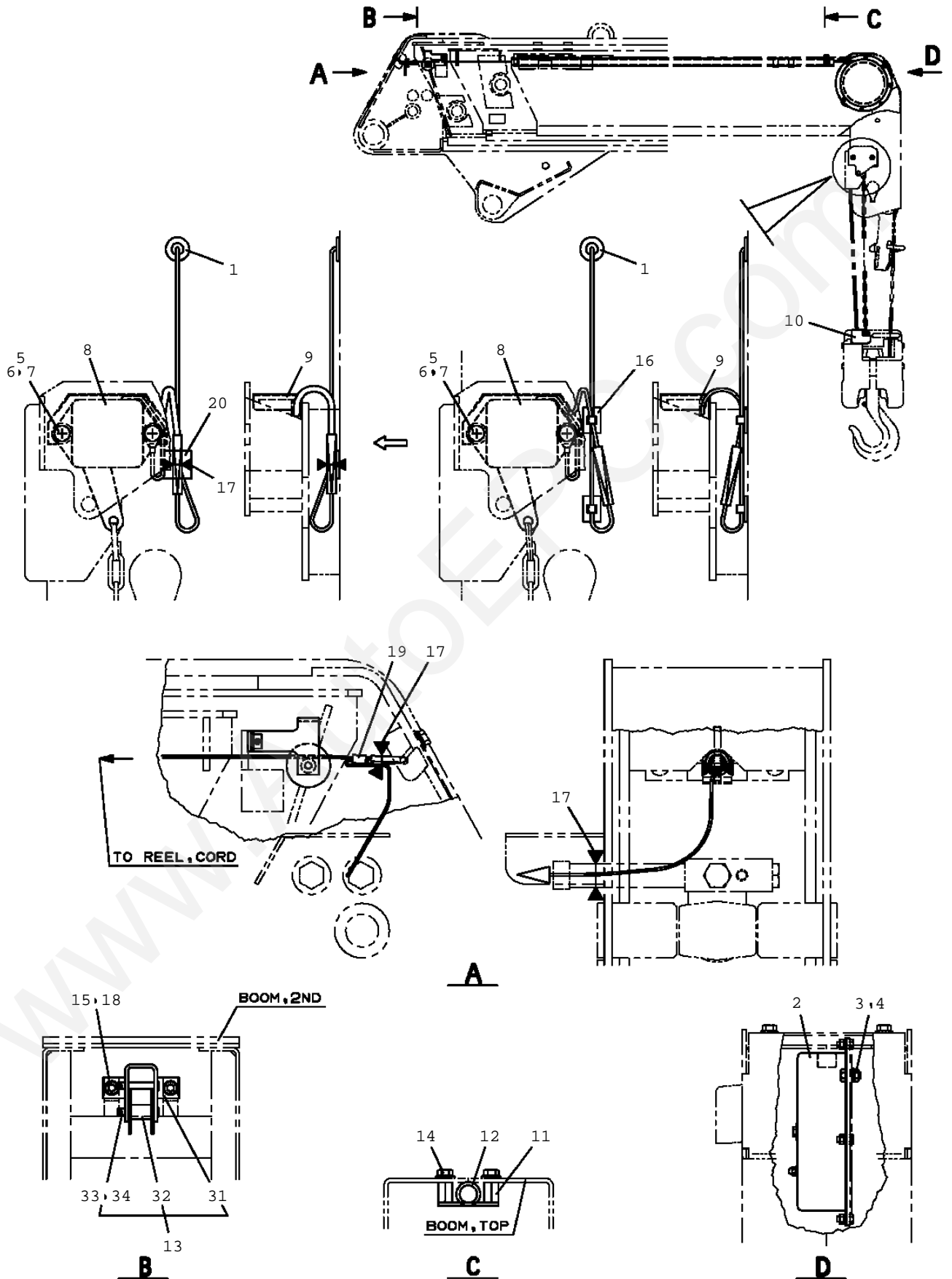
www.AutoEPC.com

TM-ZR500 31094020030 BOOM/4 SECT.

| Pos No. | Parts No | Parts Name | Qty | Unit | Technical Data | S |
|---------|-------------|---------------------------------------|-----|------|----------------|---|
| 1 | 31371923500 | DETECTOR,OVER WIND (CHAIN,FOR WEIGHT) | 1 | | | |

www.AutoEPC.com

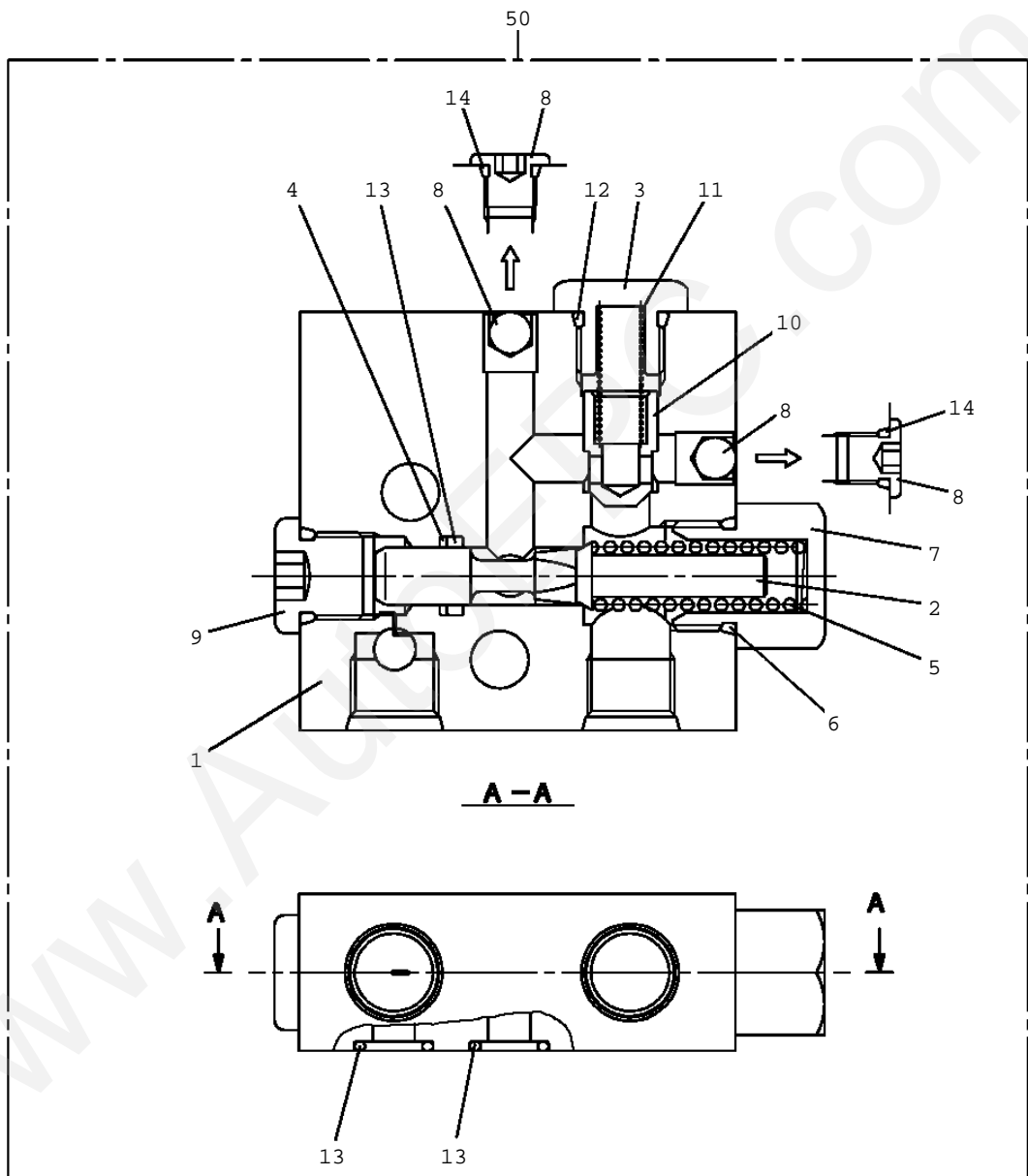
TM-ZR500 31094020030 BOOM/4 SECT.
 PH1060351-02 DETECTOR, OVER WINDING (4 SECT.)



TM-ZR500 31094020030 BOOM/4 SECT.

| Pos No. | Parts No | Parts Name | Qty | Unit | Technical Data | Serial No (Star |
|---------|-------------|-------------------------|-----|------|----------------|-----------------|
| 1 | 14148375000 | GROMMET | 1 | | | |
| 2 | 36161190000 | REEL,CORD | 1 | | | |
| | 36161710000 | REEL ASSY,CORD | 1 | | | DE7853 |
| 3 | 90101206016 | BOLT | 2 | | M6X16 | |
| 4 | 90280200600 | NUT,FLANGE | 2 | | M6 | |
| 5 | 90302040601 | WASHER,SPRING | 2 | | 6 | |
| 6 | 80182306014 | SCREW,MACHINE | 2 | | M6X14 | |
| 7 | 90303070601 | WASHER,PLAIN | 2 | | 6 | |
| 8 | 31371922000 | SWITCH ASSY (ASSY ONLY) | 1 | | | |
| | 31373350000 | SWITCH ASSY (ASSY ONLY) | 1 | | | DE9294 |
| 9 | 31371283000 | SUPPORT | 1 | | | |
| 10 | 31371923000 | WEIGHT | 1 | | | |
| 11 | 31371920100 | SUPPORT | 1 | | | |
| 12 | 31372170200 | PIPE | 1 | | | |
| 13 | 31371921000 | ROLLER ASSY | 1 | | | |
| 14 | 90186208014 | BOLT,FLANGE | 2 | | M8X14 | |
| 15 | 90302040801 | WASHER,SPRING | 2 | | 8 | |
| 16 | 82401600504 | CLAMP | 2 | | | |
| 17 | 91810130230 | FASTENER | 2 | | | |
| | 91810130230 | FASTENER | 3 | | | DE9294 |
| 18 | 90172108012 | BOLT,HEXAGON SOCKET | 2 | | M8X12 | |
| 19 | 82115210110 | CONNECTOR | 1 | | | |
| 20 | 91850310305 | CLAMP | 1 | | | DE9294 |
| 31 | 31371921100 | SUPPORT | 1 | | | |
| 32 | 31371921200 | ROLLER | 1 | | | |
| 33 | 37000122350 | PIN | 1 | | | |
| | 37000122350 | PIN | 2 | | | DA5243 |
| 34 | 80136320016 | PIN,SPLIT | 1 | | 2X16 | |
| | 80136320016 | PIN,SPLIT | 2 | | 2X16 | DA5243 |

TM-ZR500 31094020030 BOOM/4 SECT.
PI1250134-01 VALVE,COUNTERBALANCE

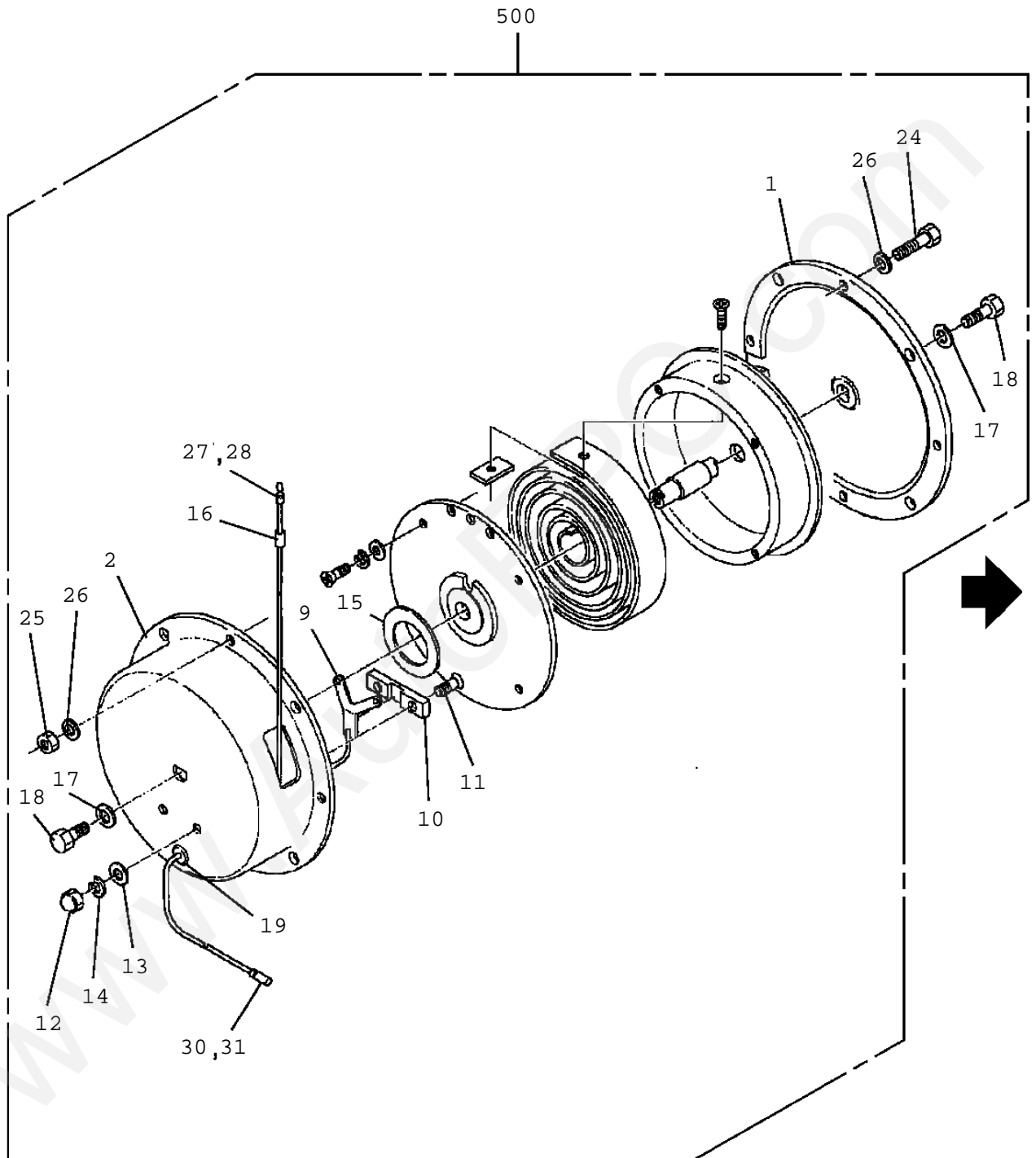


TM-ZR500 31094020030 BOOM/4 SECT.

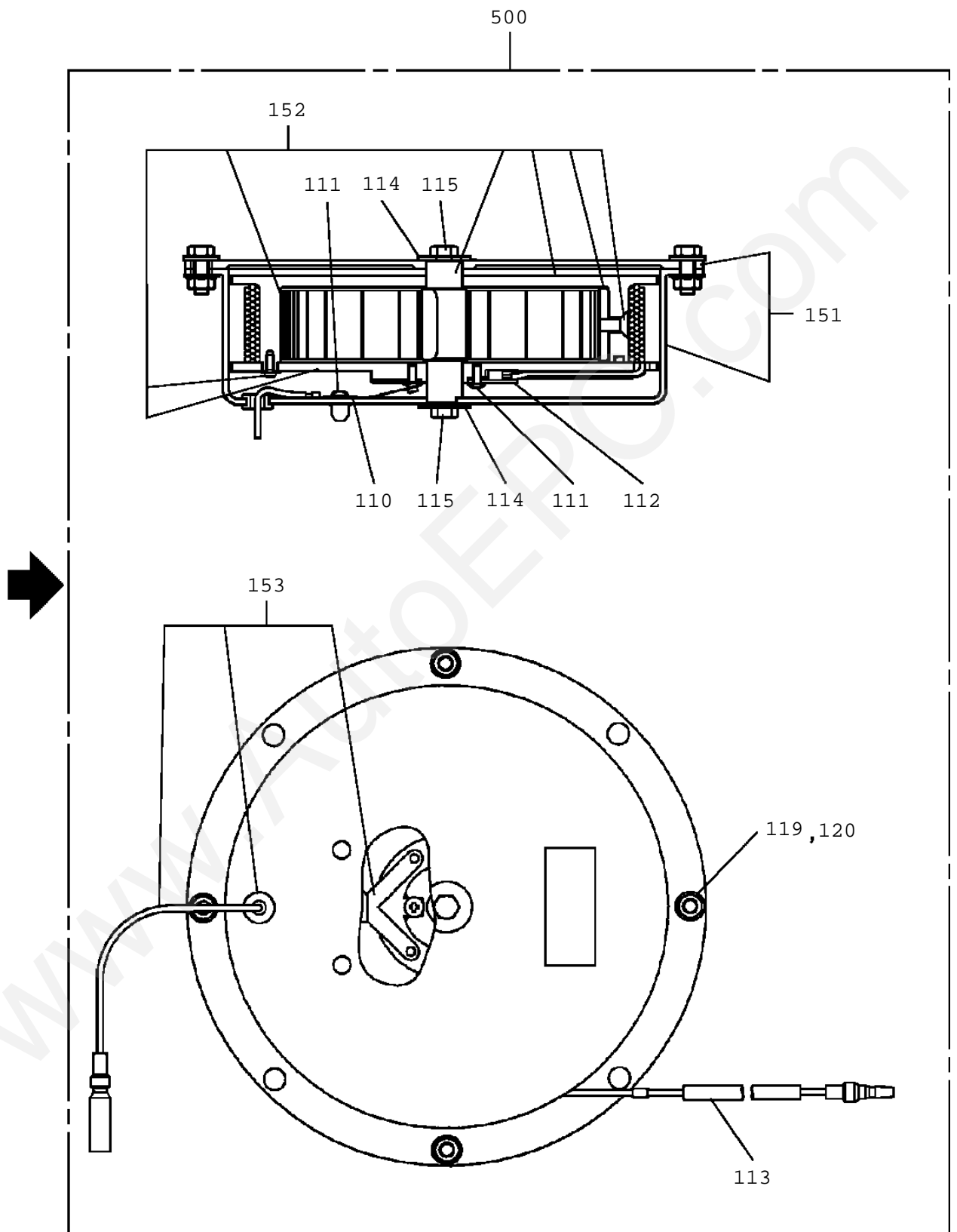
| Pos No. | Parts No | Parts Name | Qty | Unit | Technical Data | Serial No (Start) |
|---------|-------------|------------------------|-----|------|----------------|-------------------|
| 1 | 36605200101 | BODY | 1 | | | |
| | 36605200400 | BODY | 1 | | | DD9631 |
| 2 | 36605520200 | SPOOL | 1 | | | |
| 3 | 36605200030 | PLUG | 1 | | | |
| 4 | 91411001100 | RING, BACKUP | 1 | | | |
| 5 | 37001201750 | SPRING | 1 | | | |
| 6 | 91002801800 | O-RING | 1 | | 1B P18 | |
| 7 | 36605200010 | PLUG | 1 | | | |
| 8 | 82441810100 | PLUG | 2 | | | |
| | 80316100010 | PLUG | 2 | | GPF1/8 | DD9631 |
| 9 | 36605200020 | PLUG | 1 | | | |
| 10 | 36605200300 | POPPET | 1 | | | |
| 11 | 37001201760 | SPRING | 1 | | | |
| 12 | 91002801400 | O-RING | 2 | | 1B P14 | |
| 13 | 91002801100 | O-RING | 3 | | 1B P11 | |
| 14 | 91002800800 | O-RING | 2 | | 1B P8 | DD9631 |
| 50 | 36605520000 | VALVE , COUNTERBALANCE | 1 | | | |

www.AutoEPC.com

TM-ZR500 31094020030 BOOM/4 SECT.
PN1350067-02 REEL, CORD



TM-ZR500 31094020030 BOOM/4 SECT.
PN1350067-02 REEL, CORD

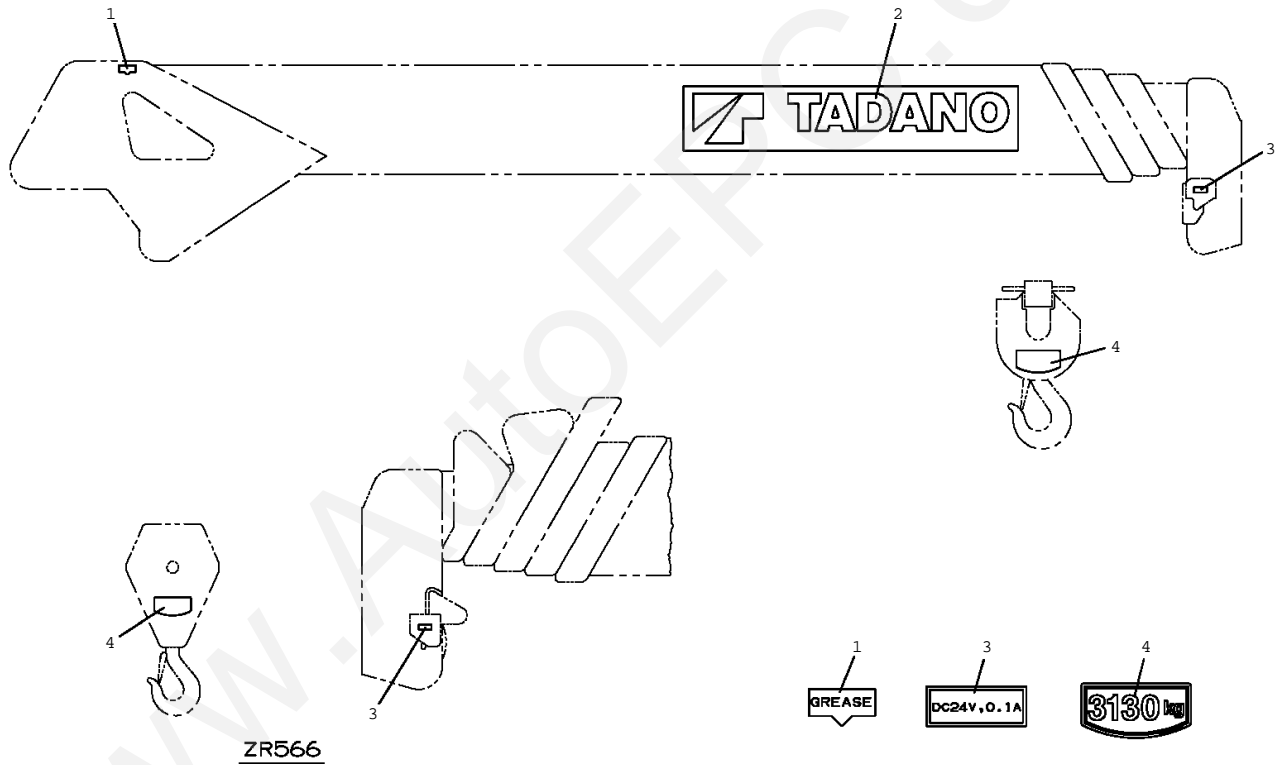


TM-ZR500 31094020030 BOOM/4 SECT.

| Pos No. | Parts No | Parts Name | Qty | Unit | Technical Data | Serial No (Start) | Ser |
|---------|-------------|------------------|-----|------|----------------|-------------------|-----|
| 110 | 31370257510 | PLATE | 1 | | | | |
| 111 | 31370257520 | SCREW,MACHINE | 4 | | M3X6 | | |
| 112 | 31370257530 | RING,SLIP | 1 | | | | |
| 113 | 36160255020 | CORD ASSY (MAIN) | 1 | | L=11.6M | | |
| 114 | 31370257550 | WASHER | 2 | | | | |
| 115 | 90102205008 | BOLT | 2 | | M5X8 | | |
| 119 | 31370257560 | BOLT (WITH W) | 4 | | M5X12 | | |
| 120 | 31370257570 | NUT | 4 | | | | |
| 151 | 36161105030 | CASE ASSY | 1 | | | | |
| 152 | 36160255030 | SPRING ASSY | 1 | | | | |
| 153 | 36160255040 | CORD ASSY (SUB) | 1 | | | | |
| 500 | 36161190000 | REEL,CORD | 1 | | | | |

www.AutoEPC.com

TM-ZR500 31094020030 BOOM/4 SECT.
PN5010045-01 NAME PLATE ASSY (3.13T/ENGLISH)

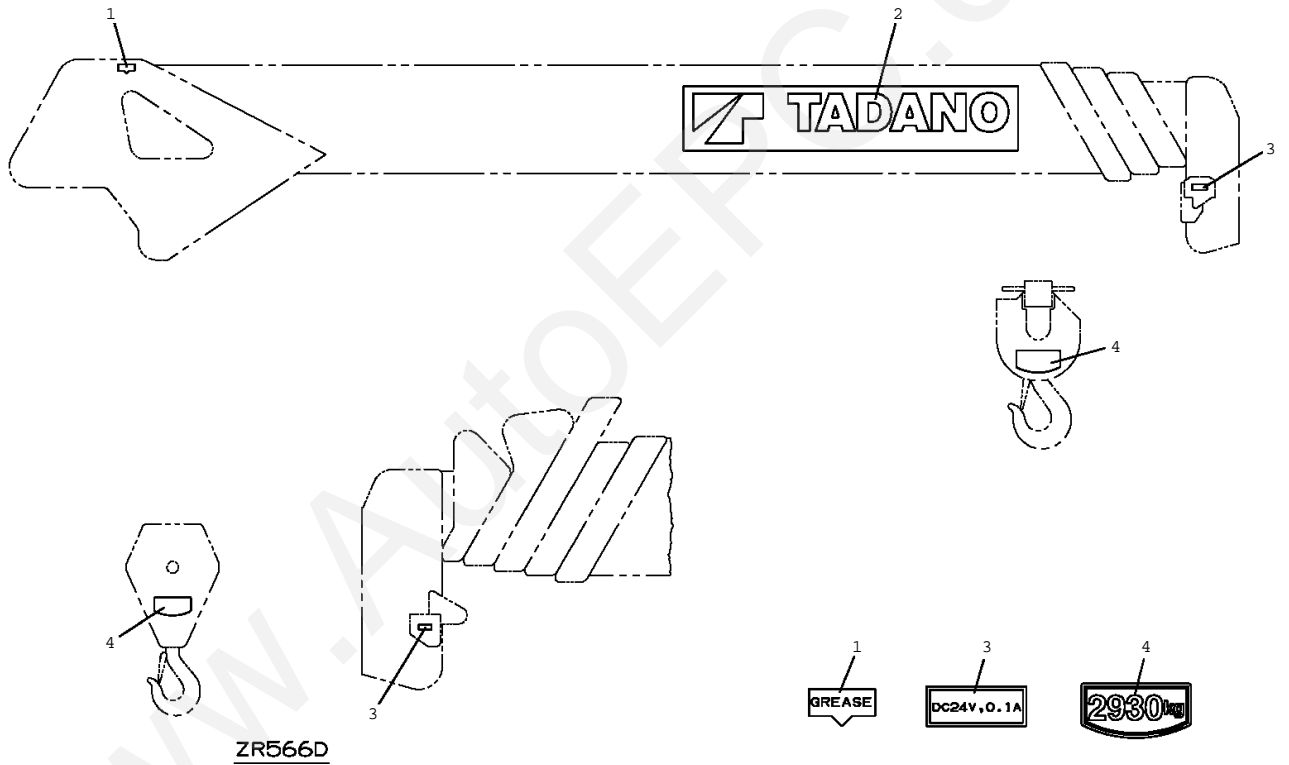


TM-ZR500 31094020030 BOOM/4 SECT.

| Pos No. | Parts No | Parts Name | Qty | Unit | Technical Data | Serial No (Star |
|---------|-------------|-------------------------|-----|------|----------------|-----------------|
| 1 | 14137207000 | PLATE,NAME (GREASE) | 2 | | | |
| 2 | 37002224780 | PLATE,NAME (TADANO) | 2 | | | |
| 3 | 37002212770 | PLATE,NAME (DC24V,0.1A) | 1 | | | |
| 4 | 37002225790 | PLATE,NAME (3130KG) | 2 | | | |

www.AutoEPC.com

TM-ZR500 31094020030 BOOM/4 SECT.
PN5010051-01 NAME PLATE ASSY (2.93T/ENGLISH)

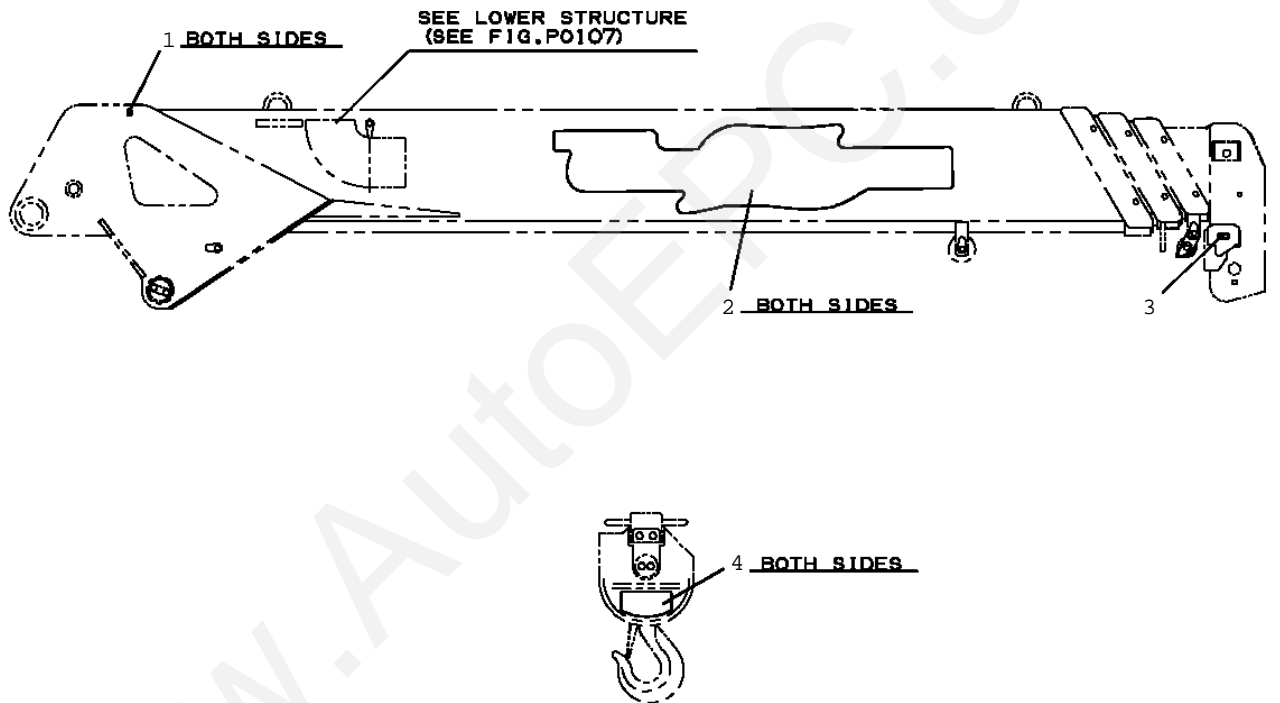


TM-ZR500 31094020030 BOOM/4 SECT.

| Pos No. | Parts No | Parts Name | Qty | Unit | Technical Data | Serial No (Star |
|---------|-------------|-------------------------|-----|------|----------------|-----------------|
| 1 | 14137207000 | PLATE,NAME (GREASE) | 2 | | | |
| 2 | 37002224780 | PLATE,NAME (TADANO) | 2 | | | |
| 3 | 37002212770 | PLATE,NAME (DC24V,0.1A) | 1 | | | |
| 4 | 37002227960 | PLATE,NAME (2930KG) | 2 | | | |

www.AutoEPC.com

TM-ZR500 31094020030 BOOM/4 SECT.
PO1013190-00 PLATE ASSY,NAME (BOOM/JAPANESE)

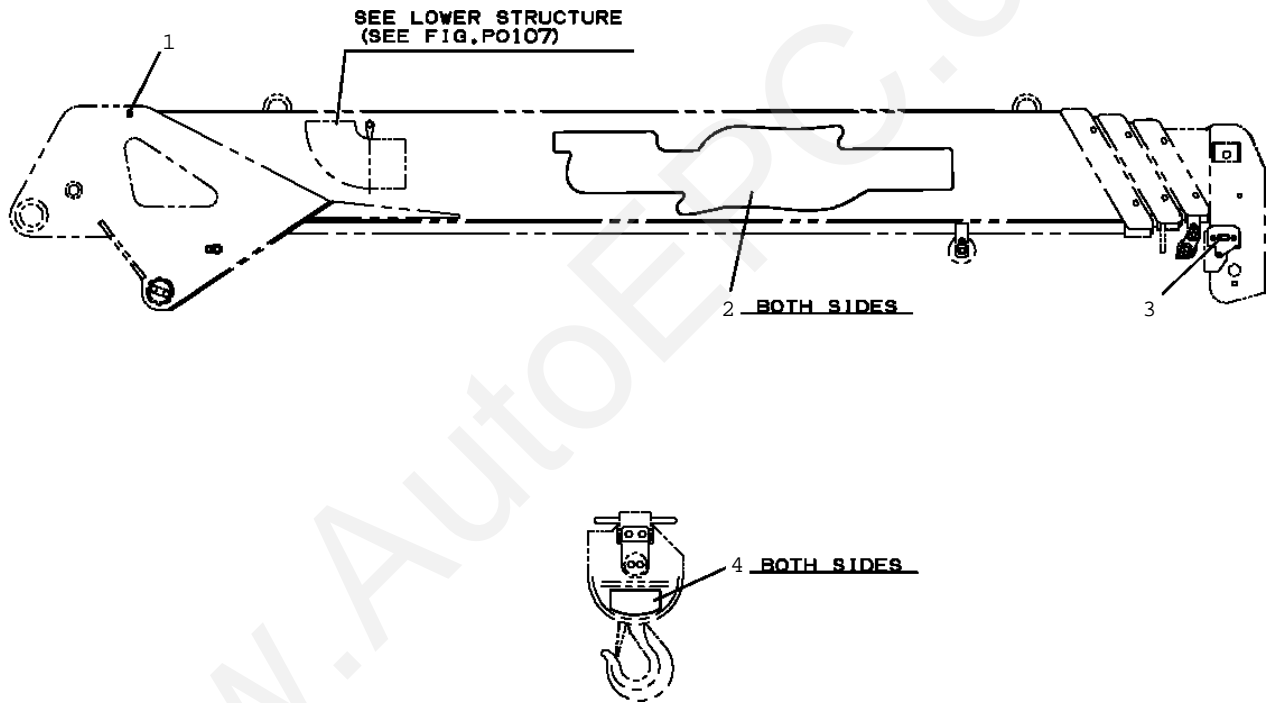


TM-ZR500 31094020030 BOOM/4 SECT.

| Pos No. | Parts No | Parts Name | Qty | Unit | Technical Data | Serial No (Sta |
|---------|-------------|--------------------------|-----|------|----------------|----------------|
| 1 | 37002206490 | PLATE,NAME (GREASE) | 2 | | | |
| 2 | 37002221040 | PLATE,NAME (CARGO CRANE) | 2 | | | |
| 3 | 37002212770 | PLATE,NAME (DC24V,0.1A) | 1 | | | |
| 4 | 37002221010 | PLATE,NAME (2.93TON) | 2 | | | |

www.AutoEPC.com

TM-ZR500 31094020030 BOOM/4 SECT.
PO1013192-00 PLATE ASSY,NAME (BOOM/ENGLISH)

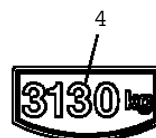
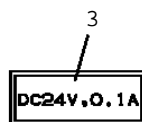
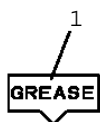
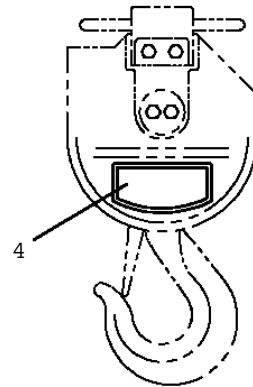
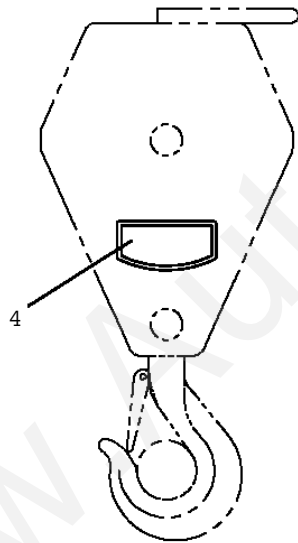


TM-ZR500 31094020030 BOOM/4 SECT.

| Pos No. | Parts No | Parts Name | Qty | Unit | Technical Data | Serial No (Sta |
|---------|-------------|--------------------------|-----|------|----------------|----------------|
| 1 | 14137207000 | PLATE,NAME (GREASE) | 2 | | | |
| 2 | 37002221040 | PLATE,NAME (CARGO CRANE) | 2 | | | |
| 3 | 37002212770 | PLATE,NAME (DC24V,0.1A) | 1 | | | |
| 4 | 37002223390 | PLATE,NAME (3230KG) | 2 | | | |

www.AutoEPC.com

TM-ZR500 31094020030 BOOM/4 SECT.
PO1014007-01 PLATE ASSY,NAME (BOOM/ENGLISH)

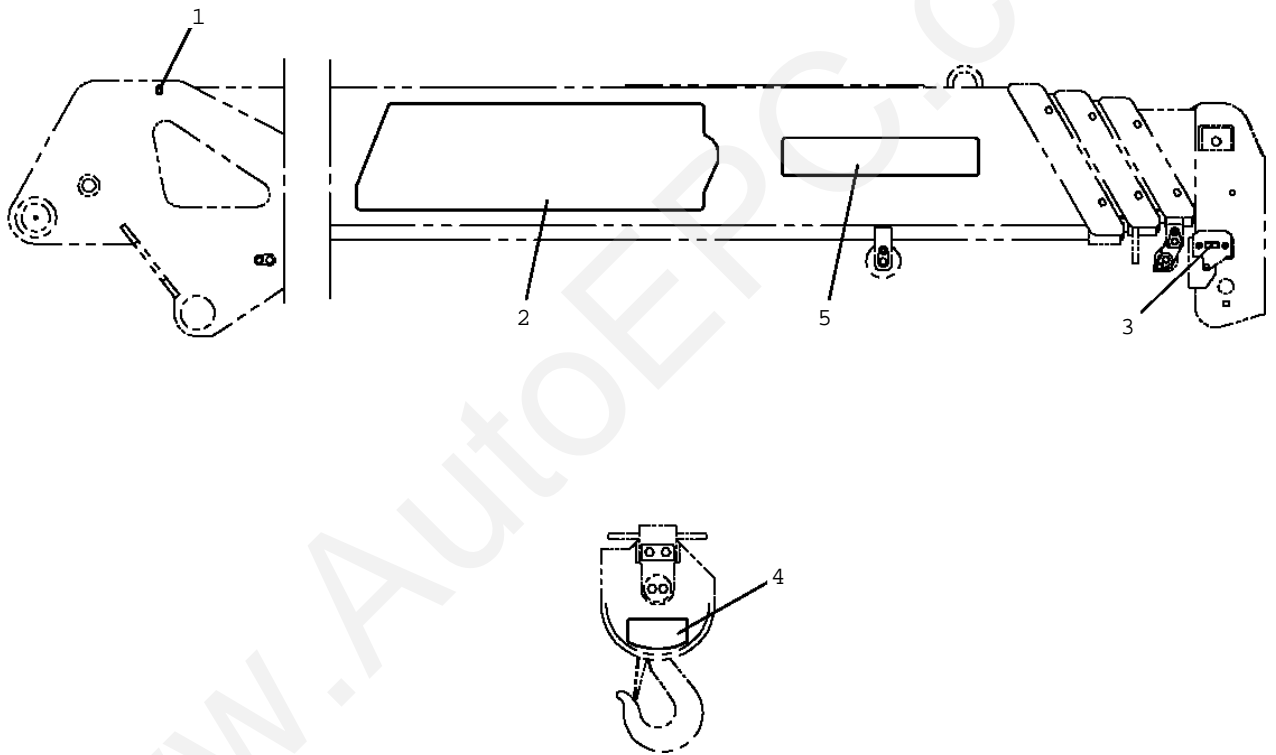


TM-ZR500 31094020030 BOOM/4 SECT.

| Pos No. | Parts No | Parts Name | Qty | Unit | Technical Data | Serial No (Sta |
|---------|-------------|--------------------------|-----|------|----------------|----------------|
| 1 | 14137207000 | PLATE,NAME (GREASE) | 2 | | | |
| 2 | 37002221040 | PLATE,NAME (CARGO CRANE) | 2 | | | |
| 3 | 37002212770 | PLATE,NAME (DC24V,0.1A) | 1 | | | |
| 4 | 37002225790 | PLATE,NAME (3130KG) | 2 | | | |

www.AutoEPC.com

TM-ZR500 31094020030 BOOM/4 SECT.
PO1014298-00 PLATE ASSY,NAME (RAC)

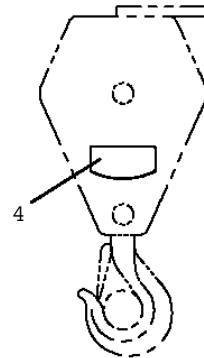
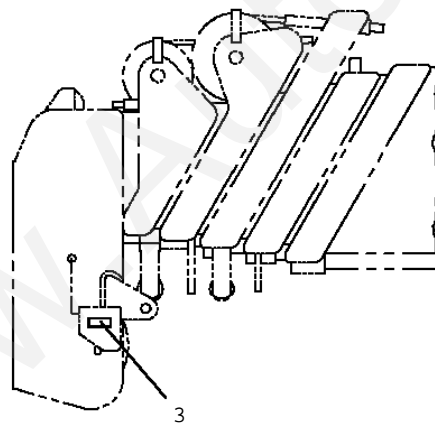
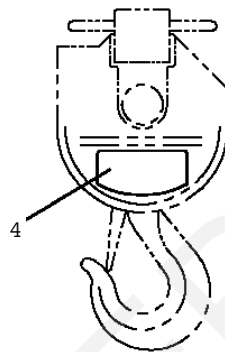
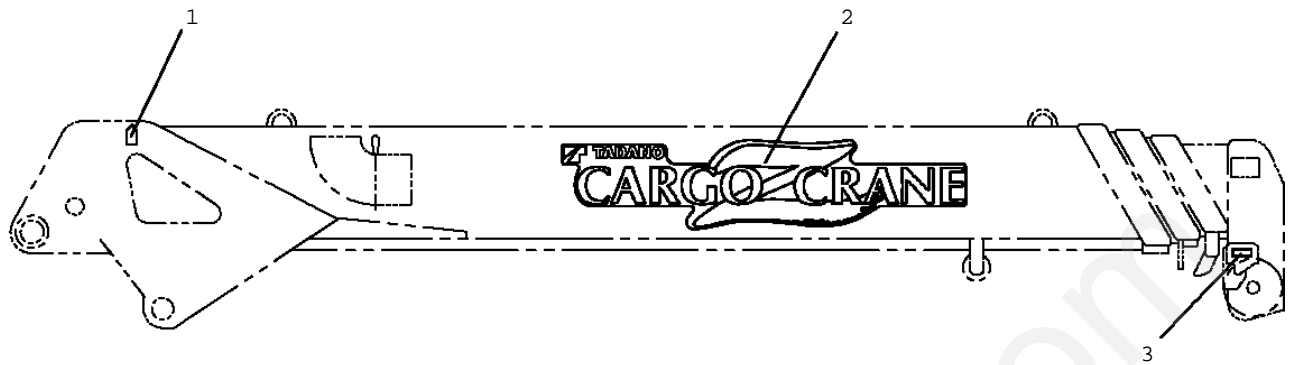


TM-ZR500 31094020030 BOOM/4 SECT.

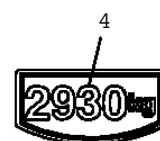
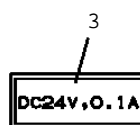
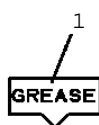
| Pos No. | Parts No | Parts Name | Qty | Unit | Technical Data | Serial No (Star |
|---------|-------------|-------------------------|-----|------|----------------|-----------------|
| 1 | 37002206490 | PLATE,NAME (GREASE) | 2 | | | |
| 2 | 37002226640 | PLATE,NAME (RAC) | 2 | | | |
| 3 | 37002212770 | PLATE,NAME (DC24V,0.1A) | 1 | | | |
| 4 | 37002221010 | PLATE,NAME (2.93TON) | 2 | | | |
| 5 | 37002226670 | PLATE,NAME (TADANO) | 2 | | | |

www.AutoEPC.com

TM-ZR500 31094020030 BOOM/4 SECT.
PO1015129-01 PLATE ASSY,NAME (2.93T/ENGLISH)



ZR566Dの場合



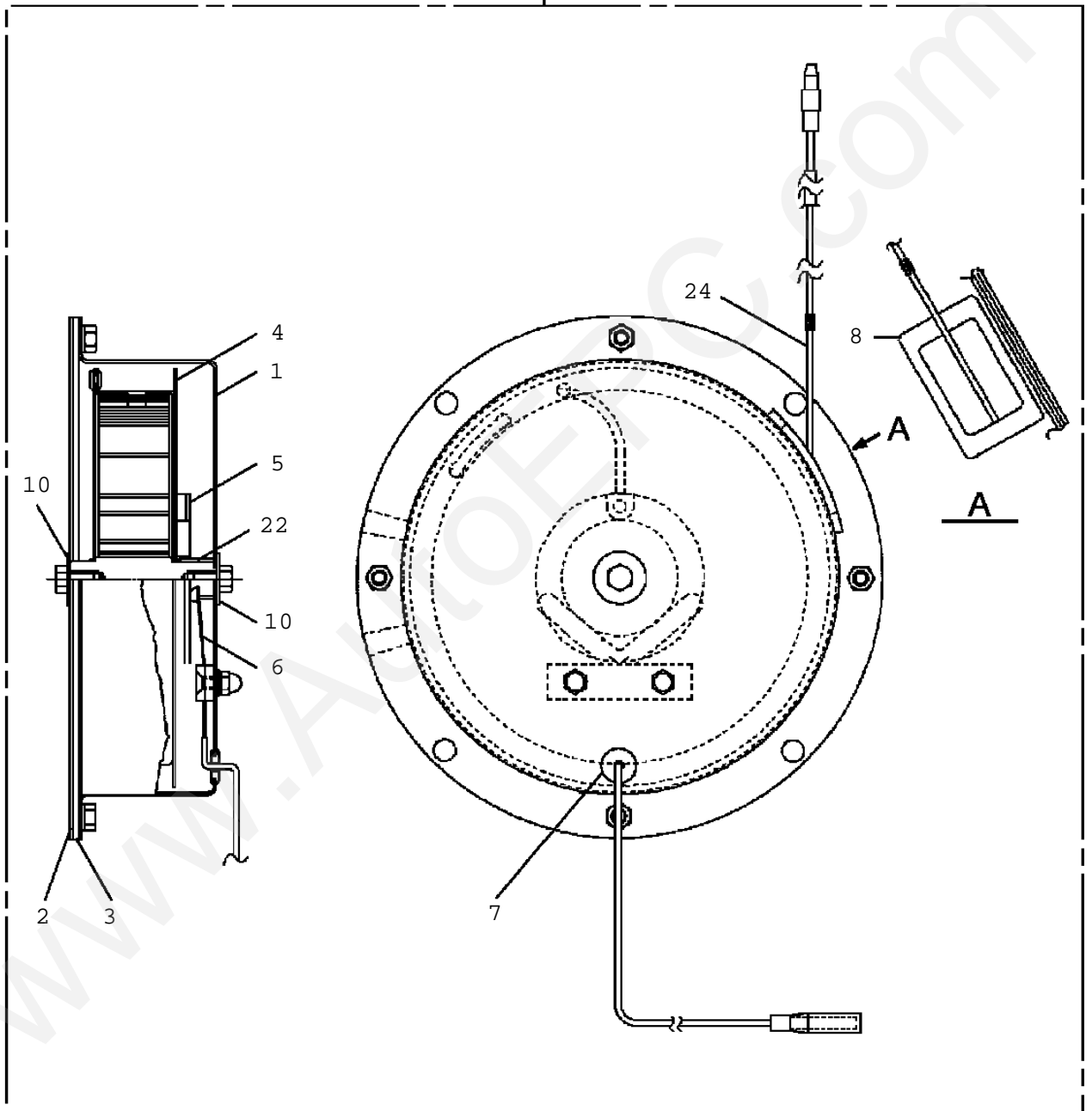
TM-ZR500 31094020030 BOOM/4 SECT.

| Pos No. | Parts No | Parts Name | Qty | Unit | Technical Data | Serial No (Sta |
|---------|-------------|--------------------------|-----|------|----------------|----------------|
| 1 | 14137207000 | PLATE,NAME (GREASE) | 2 | | | |
| 2 | 37002221040 | PLATE,NAME (CARGO CRANE) | 2 | | | |
| 3 | 37002212770 | PLATE,NAME (DC24V,0.1A) | 1 | | | |
| 4 | 37002227960 | PLATE,NAME (2930KG) | 2 | | | |

www.AutoEPC.com

TM-ZR500 31094020030 BOOM/4 SECT.
PR5050009-00 REEL ASSY,CORD

100

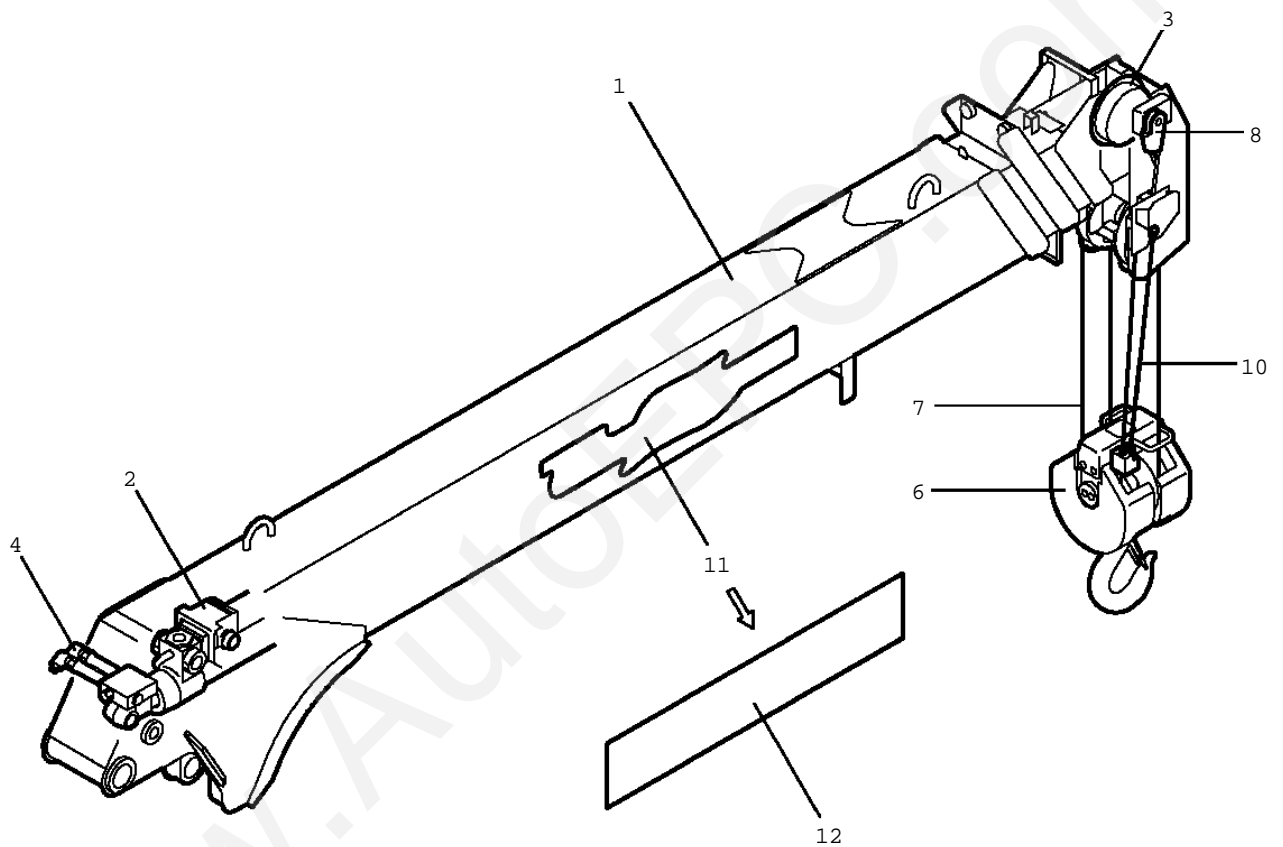


TM-ZR500 31094020030 BOOM/4 SECT.

| Pos No. | Parts No | Parts Name | Qty | Unit | Technical Data | Serial No (Start) | Serial No (End) |
|---------|-------------|-----------------|-----|------|----------------|-------------------|-----------------|
| 1 | 36161705010 | CASE | 1 | | | | |
| 2 | 36132015010 | PLATE (BASE) | 1 | | | | |
| 3 | 36161705020 | PACKING | 1 | | | | |
| 4 | 36161715010 | SPRING ASSY | 1 | | | | |
| 5 | 32360005050 | RING,SLIP | 1 | | | | |
| 6 | 32360005060 | CONTACTOR ASSY | 1 | | | | |
| 7 | 31370005070 | GROMMET | 1 | | | | |
| 8 | 31370005080 | GUIDE (CORD) | 1 | | | | |
| 10 | 36160935030 | WASHER | 2 | | | | |
| 22 | 36160325010 | COLLAR | 1 | | | | |
| 24 | 36131745090 | CORD | 17 | M | | | |
| 100 | 36161710000 | REEL ASSY, CORD | 1 | | | | |

www.AutoEPC.com

TM-ZR500 31094020030 BOOM/4 SECT.
PZ1000399-06 BOOM SYSTEM



NOTE: THE ABOVE FIGURE IS FOR REFERENCE
AND MAY DIFFER FROM THE ACTUAL APPEARANCE
OF YOUR MACHINE.

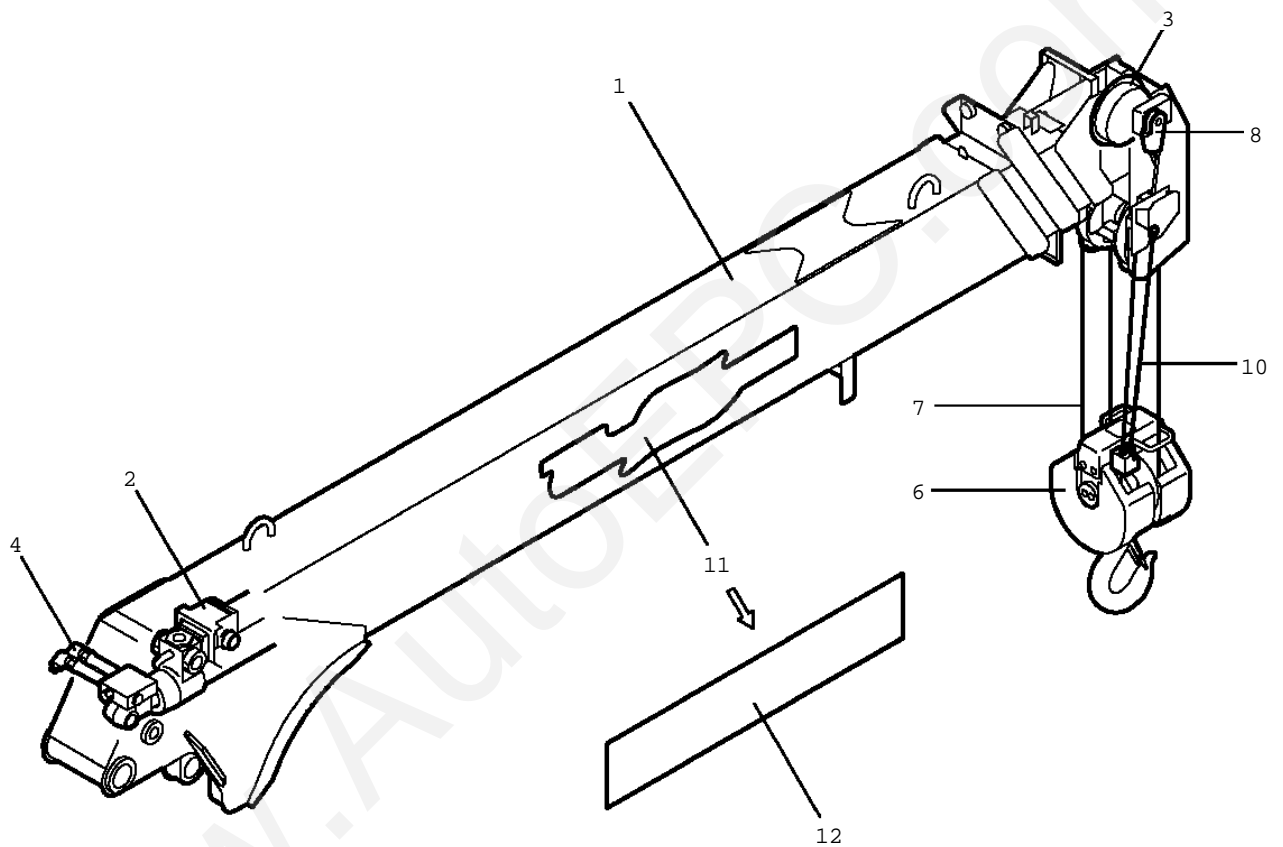
注 意: 上図は参考用に掲載しており、
形状などは実機と異なります。

TM-ZR500 31094020030 BOOM/4 SECT.

| Pos No. | Parts No | Parts Name | Qty | Unit | Technical Data |
|---------|-------------|---------------------------------------|-----|------|----------------|
| 1 | (*****) | BOOM (4 SECT.) | 1 | | |
| 2 | (*****) | CYLINDER,TELESCOPING (4 SECT.BOOM) | 1 | | |
| 3 | (*****) | DETECTOR,OVER WINDING (4 SECT.) | 1 | | |
| 4 | (*****) | PIPING,TELESCOPING (JOINT) | 1 | | |
| 6 | 36094490000 | HOOK (SHEAVE 2 PC'S) | 1 | | |
| 7 | 37001806420 | ROPE,WIRE (KISWIRE) | 1 | | |
| 8 | (*****) | SOCKET,ROPE | 1 | | |
| 10 | 31371923500 | DETECTOR,OVER WIND (CHAIN,FOR WEIGHT) | 1 | | |
| 11 | (*****) | PLATE ASSY,NAME (BOOM/ENGLISH) | 1 | | |
| 12 | (*****) | NAME PLATE ASSY (3.13T/ENGLISH) | 1 | | |

www.AutoEPC.com

TM-ZR500 31094020030 BOOM/4 SECT.
PZ1000399-06 BOOM SYSTEM



NOTE: THE ABOVE FIGURE IS FOR REFERENCE
AND MAY DIFFER FROM THE ACTUAL APPEARANCE
OF YOUR MACHINE.

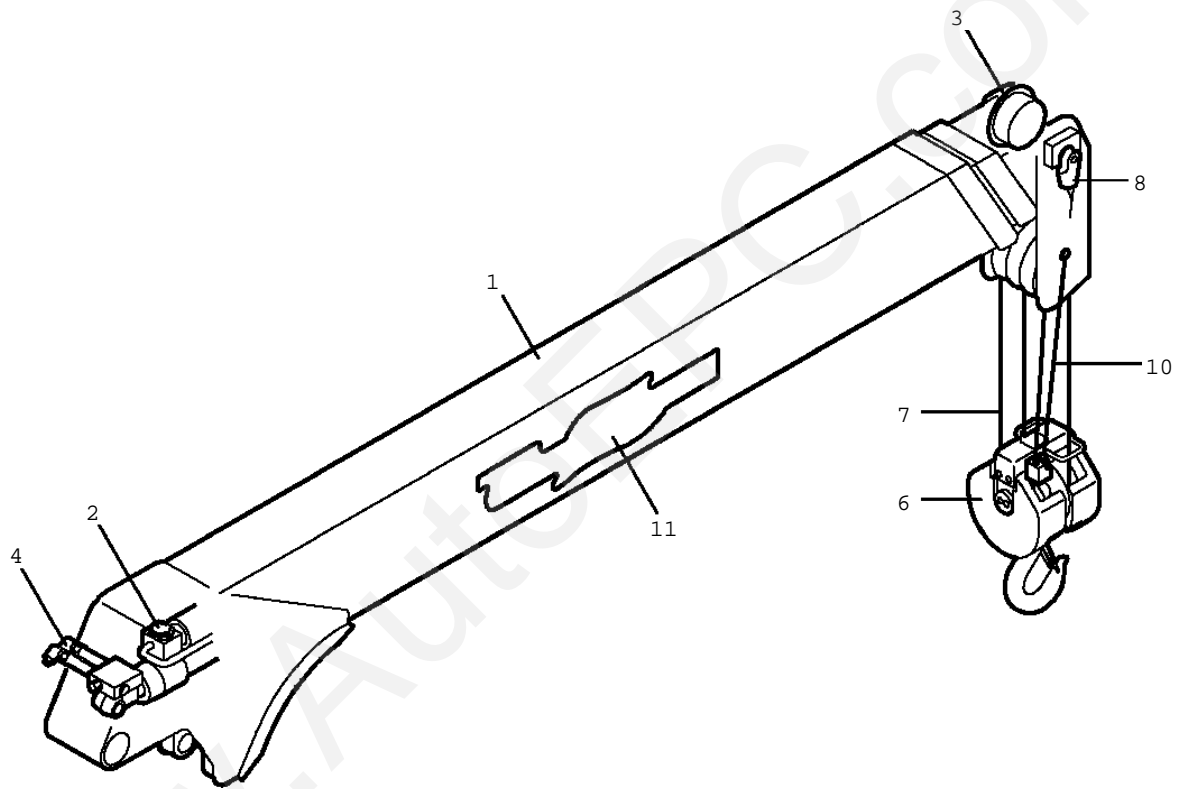
注 意： 上図は参考用に掲載しており、
形状などは実機と異なります。

TM-ZR500 31094020030 BOOM/4 SECT.

| Pos No. | Parts No | Parts Name | Qty | Unit | Technical Data |
|---------|-------------|---------------------------------------|-----|------|----------------|
| 1 | (*****) | BOOM (4 SECT.) | 1 | | |
| 2 | (*****) | CYLINDER,TELESCOPING (4 SECT.BOOM) | 1 | | |
| 3 | (*****) | DETECTOR,OVER WINDING (4 SECT.) | 1 | | |
| 4 | (*****) | PIPING,TELESCOPING (JOINT) | 1 | | |
| 6 | 36094490000 | HOOK (SHEAVE 2 PC'S) | 1 | | |
| 7 | 37001806420 | ROPE,WIRE (KISWIRE) | 1 | | |
| 8 | (*****) | SOCKET,ROPE | 1 | | |
| 10 | 31371923500 | DETECTOR,OVER WIND (CHAIN,FOR WEIGHT) | 1 | | |
| 11 | (*****) | PLATE ASSY,NAME (BOOM/ENGLISH) | 1 | | |
| | (*****) | PLATE ASSY,NAME (2.93T/ENGLISH) | 1 | | |
| 12 | (*****) | NAME PLATE ASSY (2.93T/ENGLISH) | 1 | | |
| | (*****) | NAME PLATE ASSY (3.13T/ENGLISH) | 1 | | |

www.AutoEPC.com

TM-ZR500 31094020030 BOOM/4 SECT.
PZ1000457-04 BOOM SYSTEM

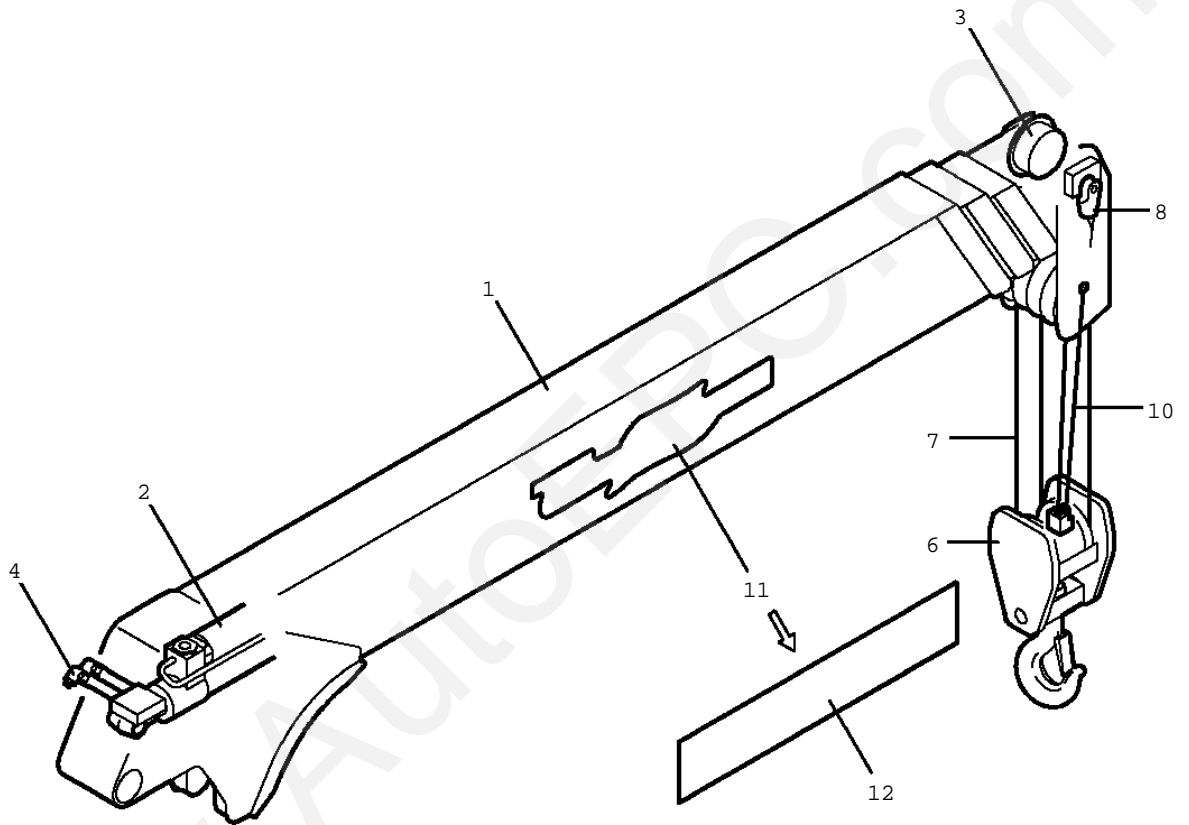


TM-ZR500 31094020030 BOOM/4 SECT.

| Pos No. | Parts No | Parts Name | Qty | Unit | Technical Data |
|---------|-------------|---------------------------------------|-----|------|----------------|
| 1 | (*****) | BOOM (4 SECT.) | 1 | | |
| 2 | (*****) | CYLINDER,TELESCOPING (4 SECT.BOOM) | 1 | | |
| 3 | (*****) | DETECTOR,OVER WINDING (4 SECT.) | 1 | | |
| 4 | (*****) | PIPING,TELESCOPING (JOINT) | 1 | | |
| 6 | 36094490000 | HOOK (SHEAVE 2 PC'S) | 1 | | |
| 7 | 37001806420 | ROPE,WIRE (KISWIRE) | 1 | | |
| 8 | (*****) | SOCKET,ROPE | 1 | | |
| 10 | 31371923500 | DETECTOR,OVER WIND (CHAIN,FOR WEIGHT) | 1 | | |
| 11 | (*****) | PLATE ASSY,NAME (BOOM/JAPANESE) | 1 | | |
| | (*****) | PLATE ASSY,NAME (RAC) | 1 | | |

www.AutoEPC.com

TM-ZR500 31094020030 BOOM/4 SECT.
PZ1000533-02 BOOM SYSTEM

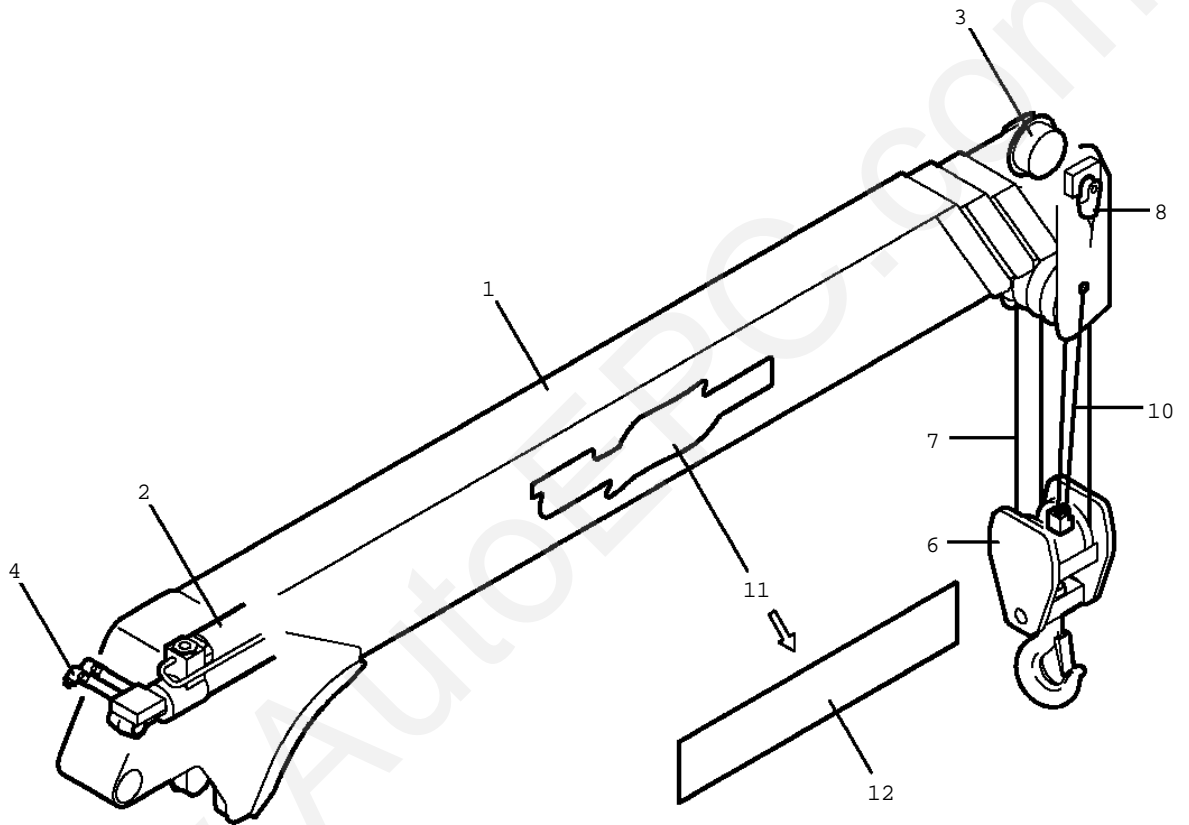


TM-ZR500 31094020030 BOOM/4 SECT.

| Pos No. | Parts No | Parts Name | Qty | Unit | Technical Data |
|---------|-------------|---------------------------------------|-----|------|----------------|
| 1 | (*****) | BOOM (4 SECT.) | 1 | | |
| 2 | (*****) | CYLINDER,TELESCOPING (4 SECT.Boom) | 1 | | |
| 3 | (*****) | DETECTOR,OVER WINDING (4 SECT.) | 1 | | |
| 4 | (*****) | PIPING,TELESCOPING (JOINT) | 1 | | |
| 6 | 36094490000 | HOOK (SHEAVE 2 PC'S) | 1 | | |
| 7 | 37001806420 | ROPE,WIRE (KISWIRE) | 1 | | |
| 8 | (*****) | SOCKET,ROPE | 1 | | |
| 10 | 31371923500 | DETECTOR,OVER WIND (CHAIN,FOR WEIGHT) | 1 | | |
| 11 | (*****) | PLATE ASSY,NAME (BOOM/ENGLISH) | 1 | | |
| | (*****) | PLATE ASSY,NAME (BOOM/ENGLISH) | 1 | | |
| | (*****) | PLATE ASSY,NAME (2.93T/ENGLISH) | 1 | | |
| 12 | (*****) | NAME PLATE ASSY (2.93T/ENGLISH) | 1 | | |
| | (*****) | NAME PLATE ASSY (3.13T/ENGLISH) | 1 | | |

www.AutoEPC.com

TM-ZR500 31094020030 BOOM/4 SECT.
PZ1000533-02 BOOM SYSTEM



TM-ZR500 31094020030 BOOM/4 SECT.

| Pos No. | Parts No | Parts Name | Qty | Unit | Technical Data |
|---------|-------------|---------------------------------------|-----|------|----------------|
| 1 | (*****) | BOOM (4 SECT.) | 1 | | |
| 2 | (*****) | CYLINDER,TELESCOPING (4 SECT.BOOM) | 1 | | |
| 3 | (*****) | DETECTOR,OVER WINDING (4 SECT.) | 1 | | |
| 4 | (*****) | PIPING,TELESCOPING (JOINT) | 1 | | |
| 6 | 36094490000 | HOOK (SHEAVE 2 PC'S) | 1 | | |
| 7 | 37001806420 | ROPE,WIRE (KISWIRE) | 1 | | |
| 8 | (*****) | SOCKET,ROPE | 1 | | |
| 10 | 31371923500 | DETECTOR,OVER WIND (CHAIN,FOR WEIGHT) | 1 | | |
| 11 | (*****) | PLATE ASSY,NAME (BOOM/ENGLISH) | 1 | | |
| 12 | (*****) | NAME PLATE ASSY (3.13T/ENGLISH) | 1 | | |

www.AutoEPC.com